

TRIMO QBISS



TRIMO

TRIMO D.O.O.
PRIJATELJEVA CESTA 12
8210 TREBNJE | SLOVENIJA
T: +386 (0)7 34 60 200
F: +386 (0)7 34 60 127
E: TRIMO@TRIMO-GROUP.COM
W: WWW.TRIMO-GROUP.COM

Trimo Group holds full copyrights on the information and details provided on this media, therefore any unauthorized reproduction and distribution is strictly prohibited. Professional care has been taken to ensure that information/details are accurate, correct, complete and not misleading. However, Trimo (including its subsidiaries) does not accept responsibility or liability for errors or information which is found to be misleading. Information/details on this media are for general purposes only. Use of it is on your own initiative and responsibility for compliance with local laws is yours. Any deviations in details and project solutions are user responsibility. In no event, will Trimo be liable for any loss or damage including without limitation, indirect or consequential loss or damage, or any loss or damage whatsoever arising from loss profits arising out of or in connection with, the use of this media. All information issued by Trimo Group is subject to continuous development and information/details contained on this media are current at date of issue. It is user's responsibility to obtain most up-to-date information from Trimo when information/details are used for project.



The last version of the document is available on www.trimo-group.com. Latest version of published document in English language prevails over other translated language documents.

For information about the delivery of panels see Trimo's General conditions. <https://trimo-group.com/en/trimo/general-conditions-of-sales>

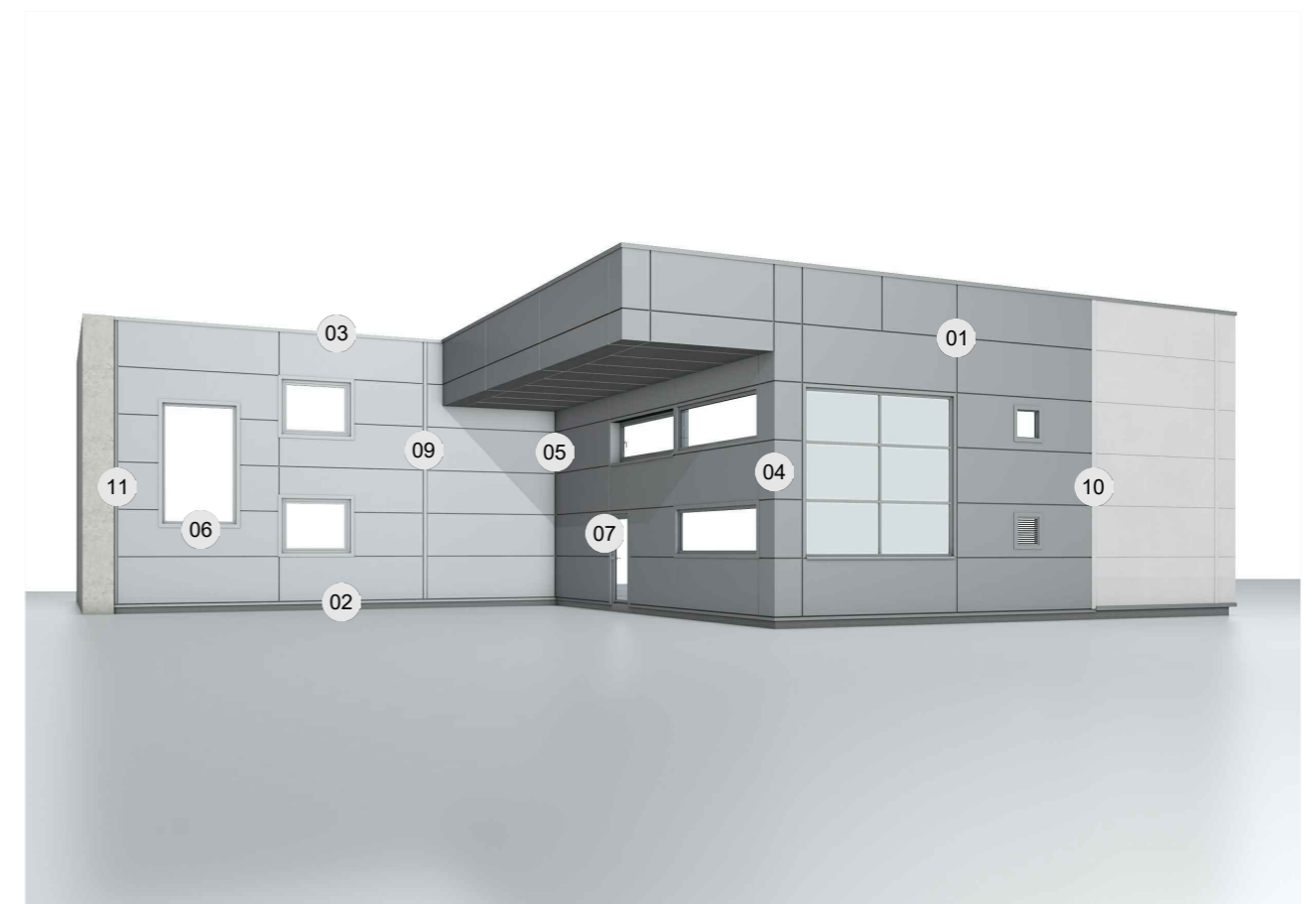
ARCHITECTURAL DETAILS INSULATED FACADE SYSTEM QBISS ONE

HORIZONTAL
INSTALLATION

QBISS ONE

-  CAD download centre
-  BIM download centre

- QO-H-01 JOINT
- QO-H-02 BASE
- QO-H-03 PARAPET
- QO-H-04 EXTERNAL CORNER
- QO-H-05 INTERNAL CORNER
- QO-H-06 WINDOW
- QO-H-07 DOOR
- QO-H-09 DILATATION
- QO-H-10 QBISS ONE - TRIMOTERM JOINT
- QO-H-11 OTHER SYSTEM CONNECTION



VERSION: I EN 14.02.2024 | ITID10DT201EN

SCHEME

Trimo Group holds full copyrights on the information and details provided on this media, therefore any unauthorized reproduction and distribution is strictly prohibited.

HORIZONTAL INSTALLATION**QBISS ONE**

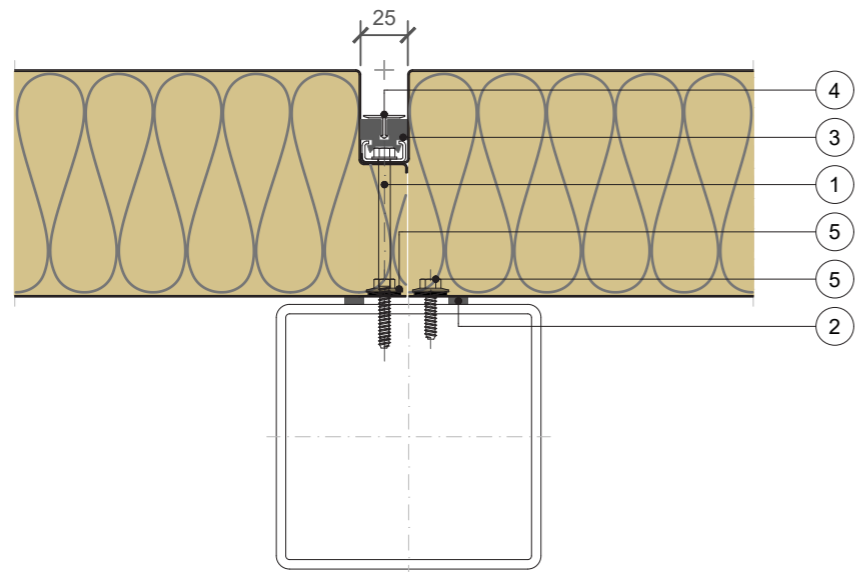
JOINT TYPE

- B - B BF - BF
- B - BF F - B
- BF - B F - BF

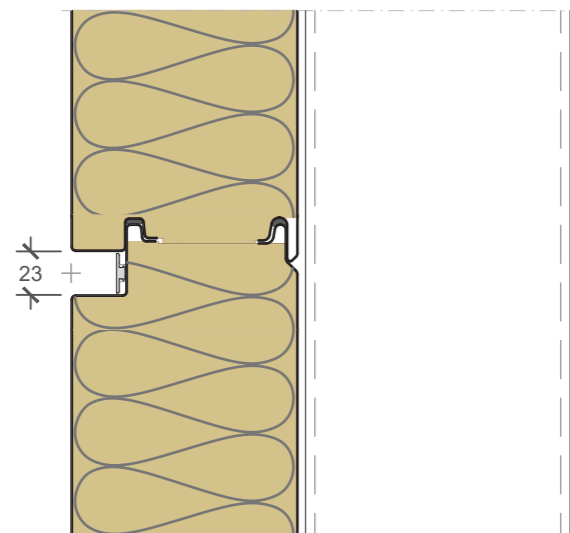
BUILDING APPLICATION

- External Facade External Soffit
- Internal Wall Internal Ceiling

HORIZONTAL CUT



VERTICAL CUT



NOTE

- Direction of installation needs to be specified.
- The detail is suitable for substructure within ± 2 mm tolerance.
- Adjustable substructure to be used when tolerances are out of range.

POS.	ELEMENTS	SCALE: M 1:4
1	Fixing screw	
2	Sealing tape	
3	EPDM Transversal gasket	
4	Decorative ALU extrusion	
5	Fixing screw	

JOINT

Trimo Group holds full copyrights on the information and details provided on this media, therefore any unauthorized reproduction and distribution is strictly prohibited.

HORIZONTAL INSTALLATION**QBISS ONE**

JOINT TYPE

- B - B BF - BF
- B - BF F - B
- BF - B F - BF

BUILDING APPLICATION

- External Facade External Soffit
- Internal Wall Internal Ceiling

DETAIL VIEW



- Qbiss One façade element contains integrated corner gasket as part of Trimo patented sealing system.
- The sealing of the transversal joint is accomplished using an inserted sealing and Decorative ALU extrusion.

JOINT

Trimo Group holds full copyrights on the information and details provided on this media, therefore any unauthorized reproduction and distribution is strictly prohibited.



HORIZONTAL INSTALLATION

QBISS ONE

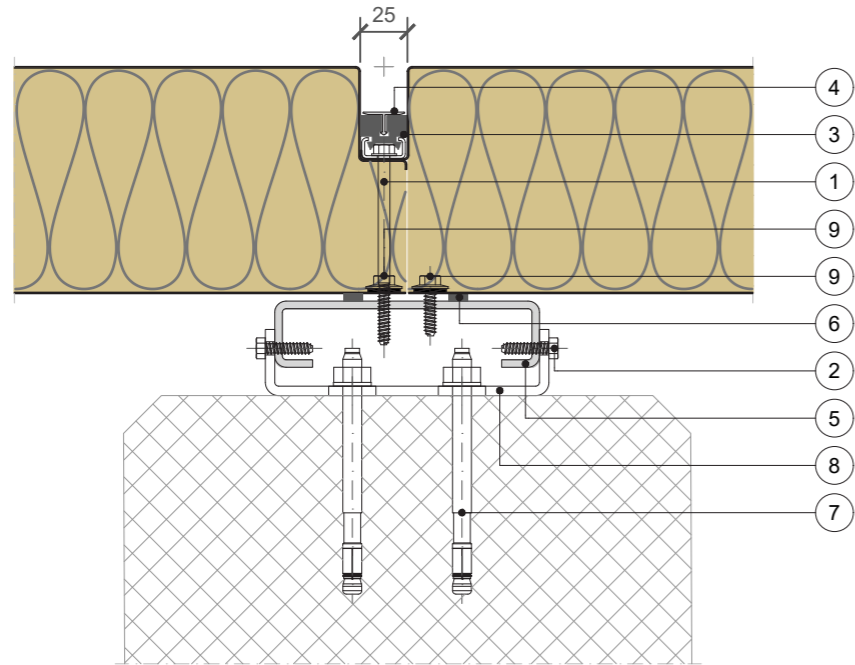
JOINT TYPE

- B - B
- B - BF
- BF - B
- BF - BF

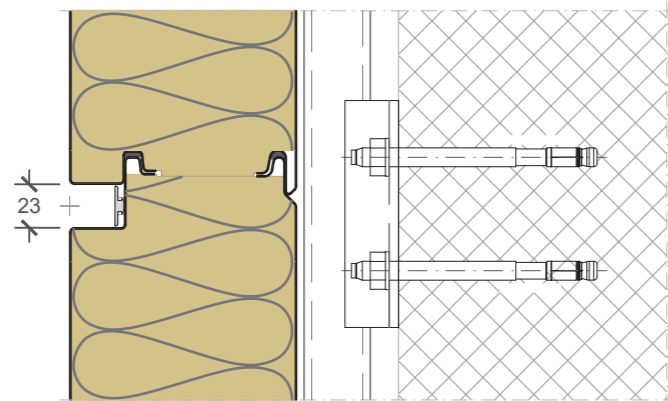
BUILDING APPLICATION

- External Facade
- External Soffit
- Internal Wall
- Internal Ceiling

HORIZONTAL CUT



VERTICAL CUT



NOTE

- Direction of installation needs to be specified.
- The detail is suitable for substructure within ± 2 mm tolerance.
- Adjustable substructure to be used when tolerances are out of range.

POS.	ELEMENTS	SCALE: M 1:4
1	Fixing screw	
2	Fixing screw	
3	EPDM Transversal gasket	
4	Decorative ALU extrusion	
5	Fast fixing adjustable leveling substructure - supporting	
6	Sealing tape	
7	Anchor bolt	
8	Fast fixing adjustable leveling substructure - load bearing	
9	Fixing screw	

JOINT

Trimo Group holds full copyrights on the information and details provided on this media, therefore any unauthorized reproduction and distribution is strictly prohibited.



HORIZONTAL INSTALLATION

QBISS ONE

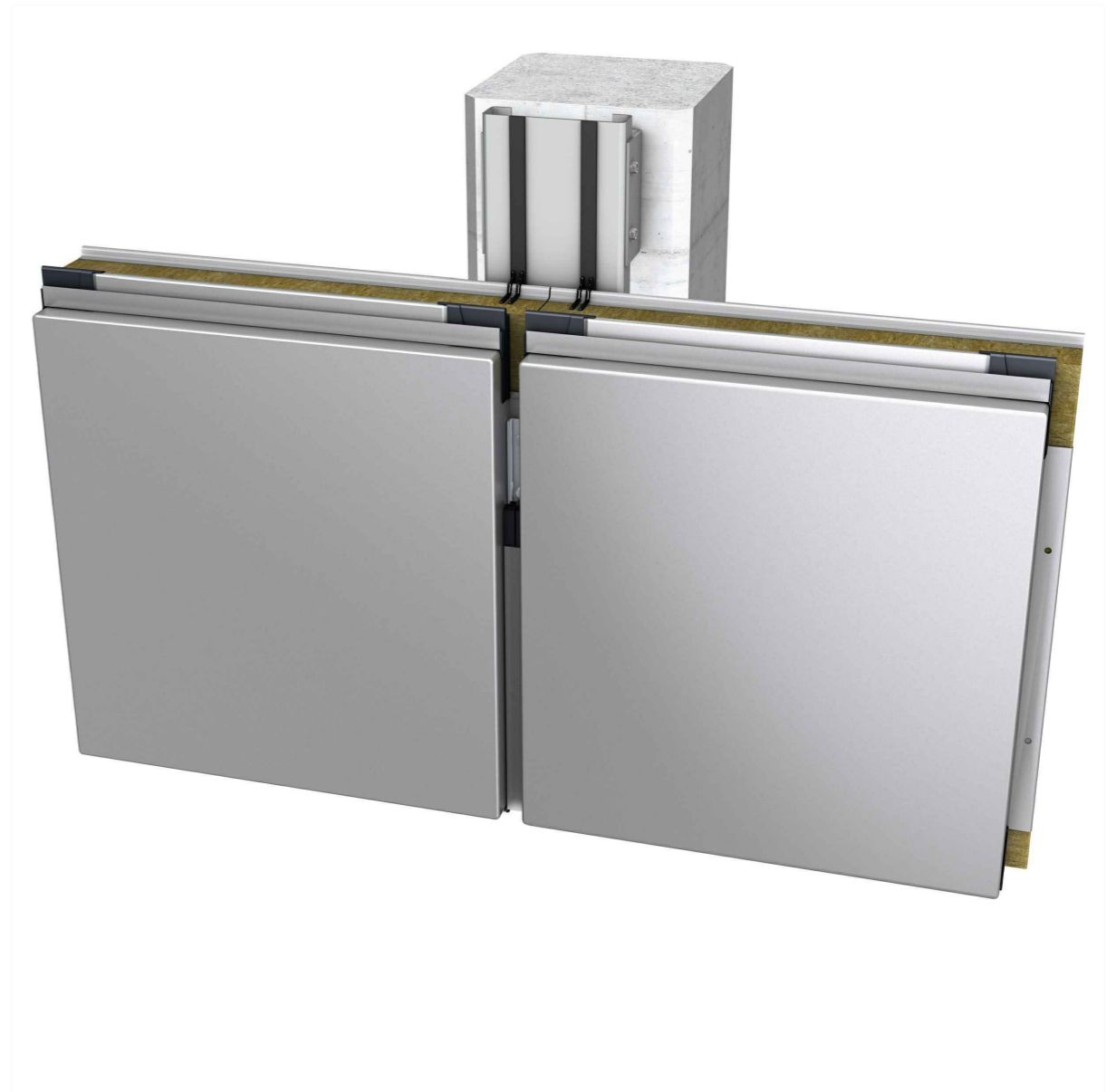
JOINT TYPE

- B - B
- B - BF
- BF - B
- BF - BF

BUILDING APPLICATION

- External Facade
- External Soffit
- Internal Wall
- Internal Ceiling

DETAIL VIEW



- Qbiss One façade element contains integrated corner gasket as part of Trimo patented sealing system.
- The sealing of the transversal joint is accomplished using an inserted sealing and Decorative ALU extrusion.

JOINT

Trimo Group holds full copyrights on the information and details provided on this media, therefore any unauthorized reproduction and distribution is strictly prohibited.



HORIZONTAL INSTALLATION

QBISS ONE

JOINT TYPE

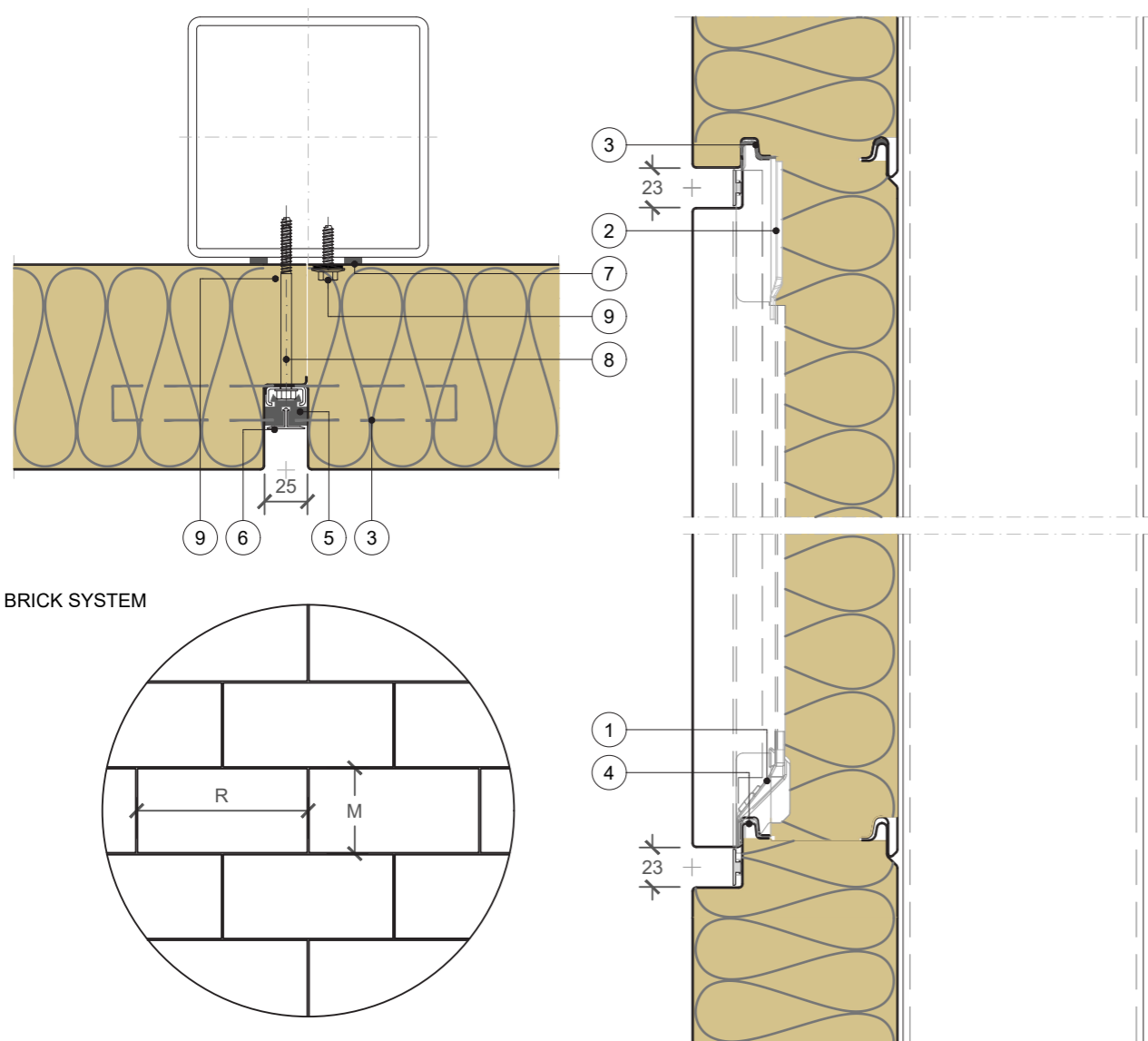
- B - B
- B - BF
- BF - B
- F - BF

BUILDING APPLICATION

- External Facade
- External Soffit
- Internal Wall
- Internal Ceiling

HORIZONTAL CUT

VERTICAL CUT



BRICK SYSTEM

NOTE

- Direction of installation needs to be specified.
- The detail is suitable for substructure within ± 2 mm tolerance.
- Adjustable substructure to be used when tolerances are out of range.

POS.	ELEMENTS	SCALE: M 1:4
1	EPDM drip element	
2	Junction drip element	
3	PE-butyl tape	
4	Sealing / gluing putty	
5	EPDM Transversal gasket	
6	Decorative ALU extrusion	
7	Sealing tape	
8	Fixing screw	
9	Fixing screw	

JOINT

Trimo Group holds full copyrights on the information and details provided on this media, therefore any unauthorized reproduction and distribution is strictly prohibited.



HORIZONTAL INSTALLATION

QBISS ONE

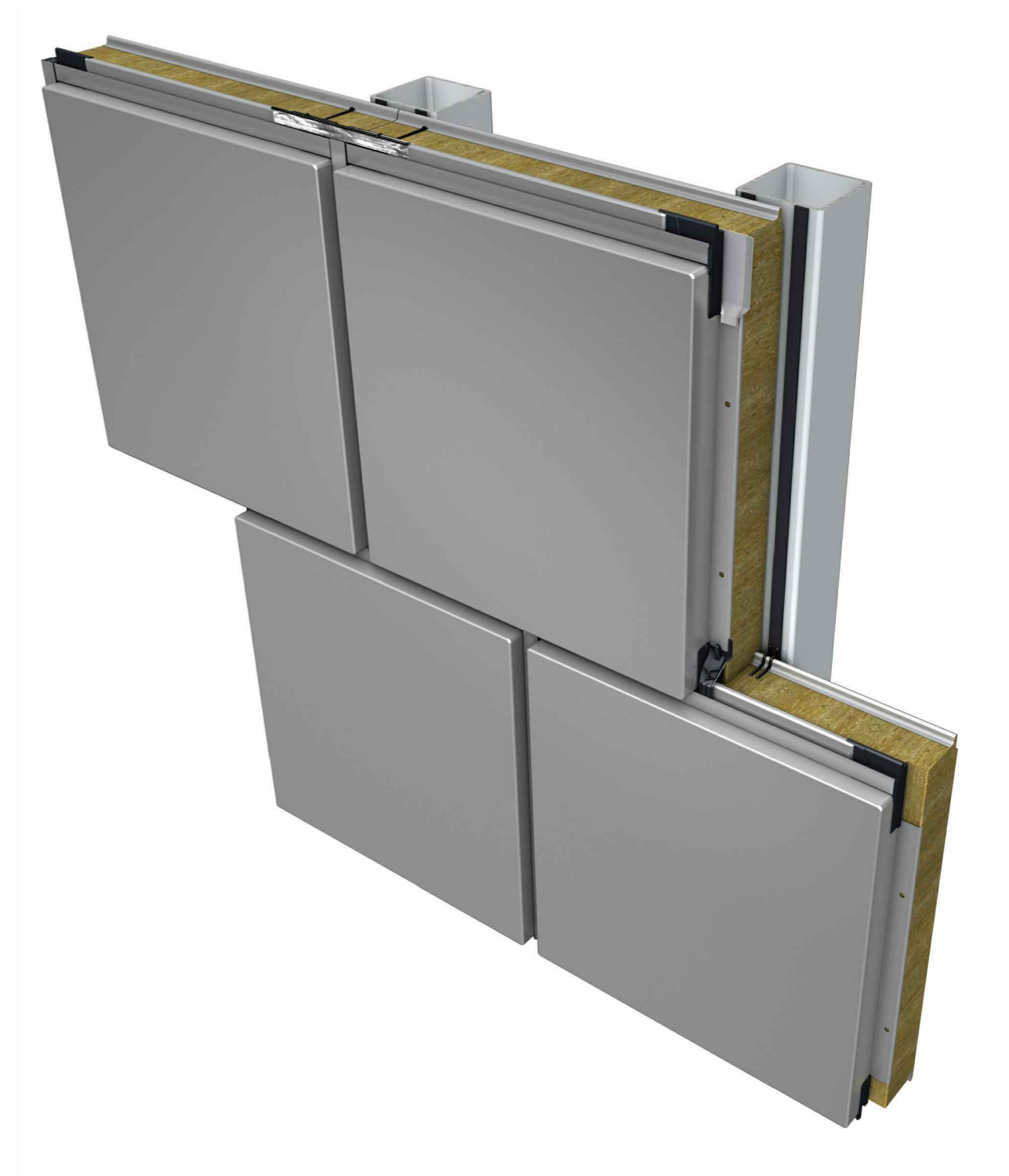
JOINT TYPE

- B - B
- B - BF
- BF - B
- F - BF

BUILDING APPLICATION

- External Facade
- External Soffit
- Internal Wall
- Internal Ceiling

DETAIL VIEW



- Brick system enables façade element to be shifted by a portion of the length of the bottom element.
- For sufficient sealing butyl tape (1) and EPDM drip flashing (2) must be applied.

JOINT

Trimo Group holds full copyrights on the information and details provided on this media, therefore any unauthorized reproduction and distribution is strictly prohibited.



HORIZONTAL INSTALLATION

QBISS ONE

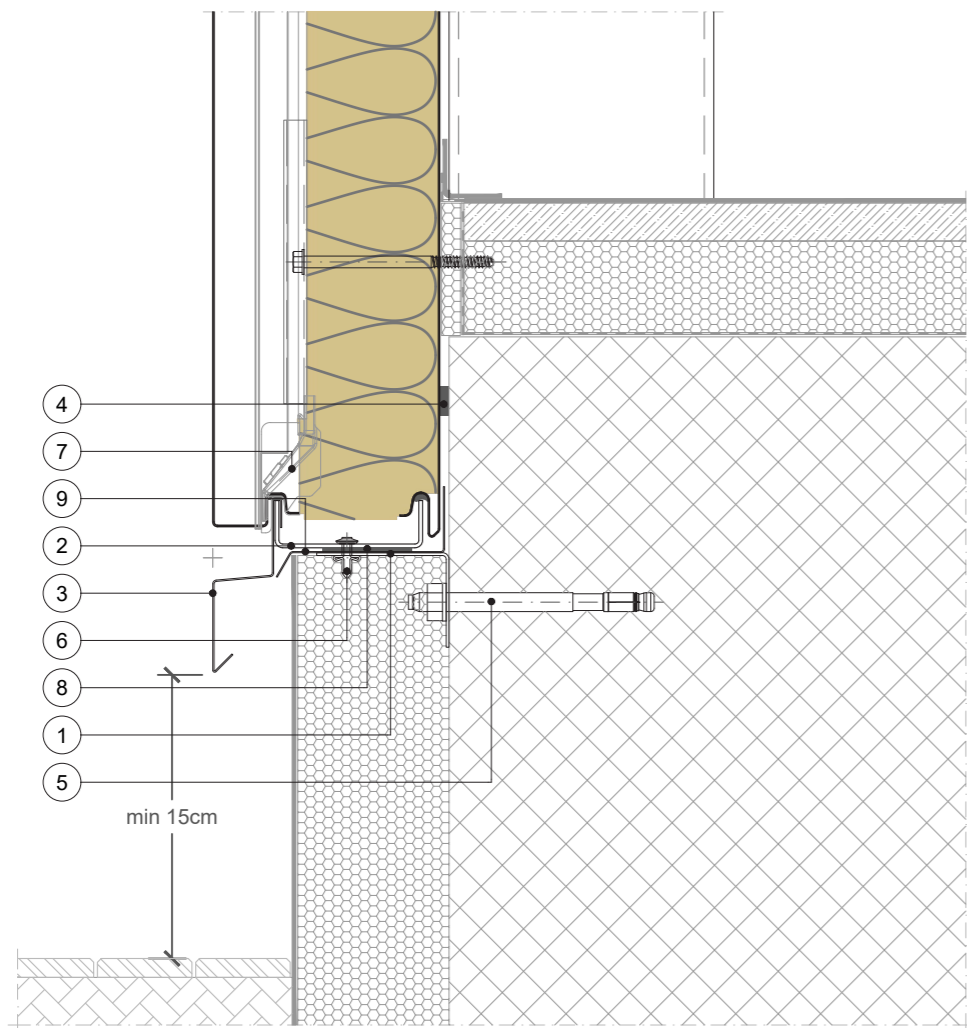
JOINT TYPE

- B - B
- B - BF
- BF - B
- BF - BF

BUILDING APPLICATION

- External Facade
- Internal Wall
- External Soffit
- Internal Ceiling

VERTICAL CUT



NOTE

- The detail is suitable for substructure within ± 2 mm tolerance.
- Adjustable substructure to be used when tolerances are out of range.

POS.	ELEMENTS	SCALE: M 1:4
1	Cladding element holder L profile	
2	Element bearers	
3	Drip flashing	
4	Sealing tape	
5	Anchor bolt	
6	Bulb tite rivet	
7	EPDM drip element	
8	Sealing tape EPDM	
9	Drip flashing	

BASE

Trimo Group holds full copyrights on the information and details provided on this media, therefore any unauthorized reproduction and distribution is strictly prohibited.



HORIZONTAL INSTALLATION

QBISS ONE

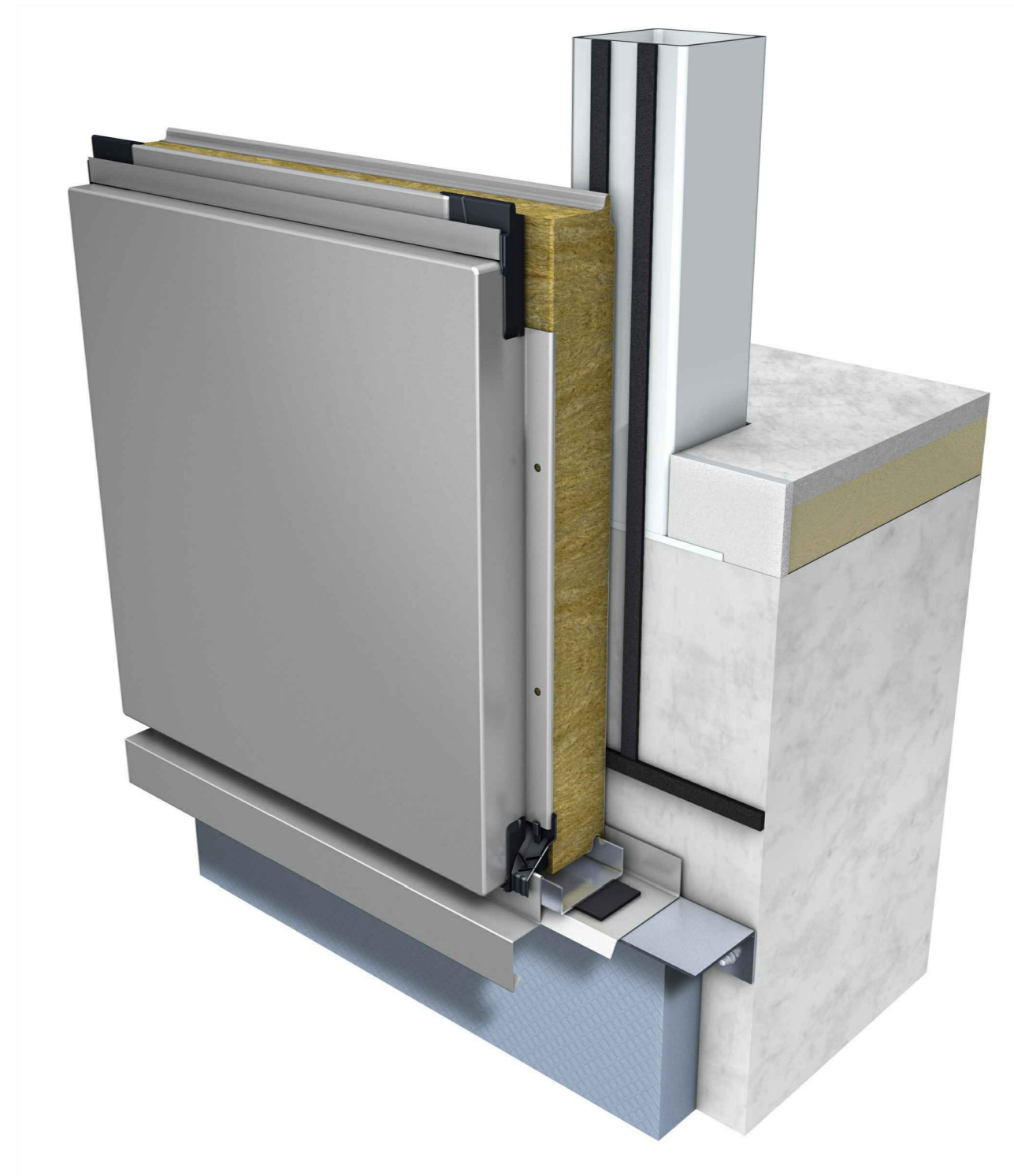
JOINT TYPE

- B - B
- B - BF
- BF - B
- BF - BF

BUILDING APPLICATION

- External Facade
- Internal Wall
- External Soffit
- Internal Ceiling

DETAIL VIEW



- Base system detail EPDM drip flashing component prevents the entry of rain water and drains any eventual water from the joint. Transversal joint serves as a drainage channel.

BASE

Trimo Group holds full copyrights on the information and details provided on this media, therefore any unauthorized reproduction and distribution is strictly prohibited.



HORIZONTAL INSTALLATION

QBISS ONE

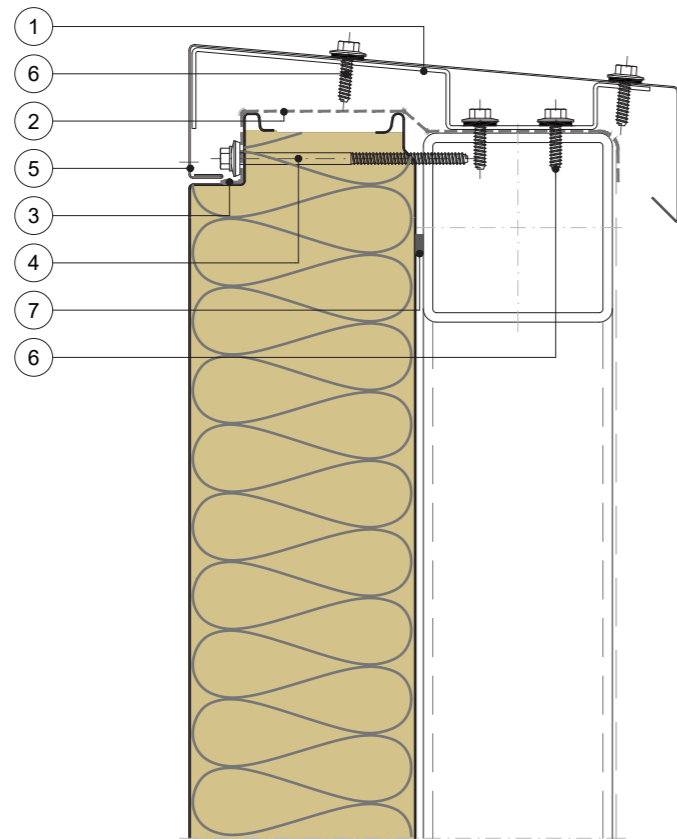
JOINT TYPE

- B - B BF - BF
- B - BF F - B
- BF - B F - BF

BUILDING APPLICATION

- External Facade External Soffit
- Internal Wall Internal Ceiling

VERTICAL CUT



NOTE

- The detail is suitable for substructure within ± 2 mm tolerance.
- Adjustable substructure to be used when tolerances are out of range.

POS.	ELEMENTS	SCALE: M 1:4
1	Parapet cap support profile	
2	EPDM membrane	
3	EPDM membrane glue	
4	Fixing screw	
5	Parapet cap	
6	Fixing screw	
7	Sealing tape	

PARAPET

Trimo Group holds full copyrights on the information and details provided on this media, therefore any unauthorized reproduction and distribution is strictly prohibited.



HORIZONTAL INSTALLATION

QBISS ONE

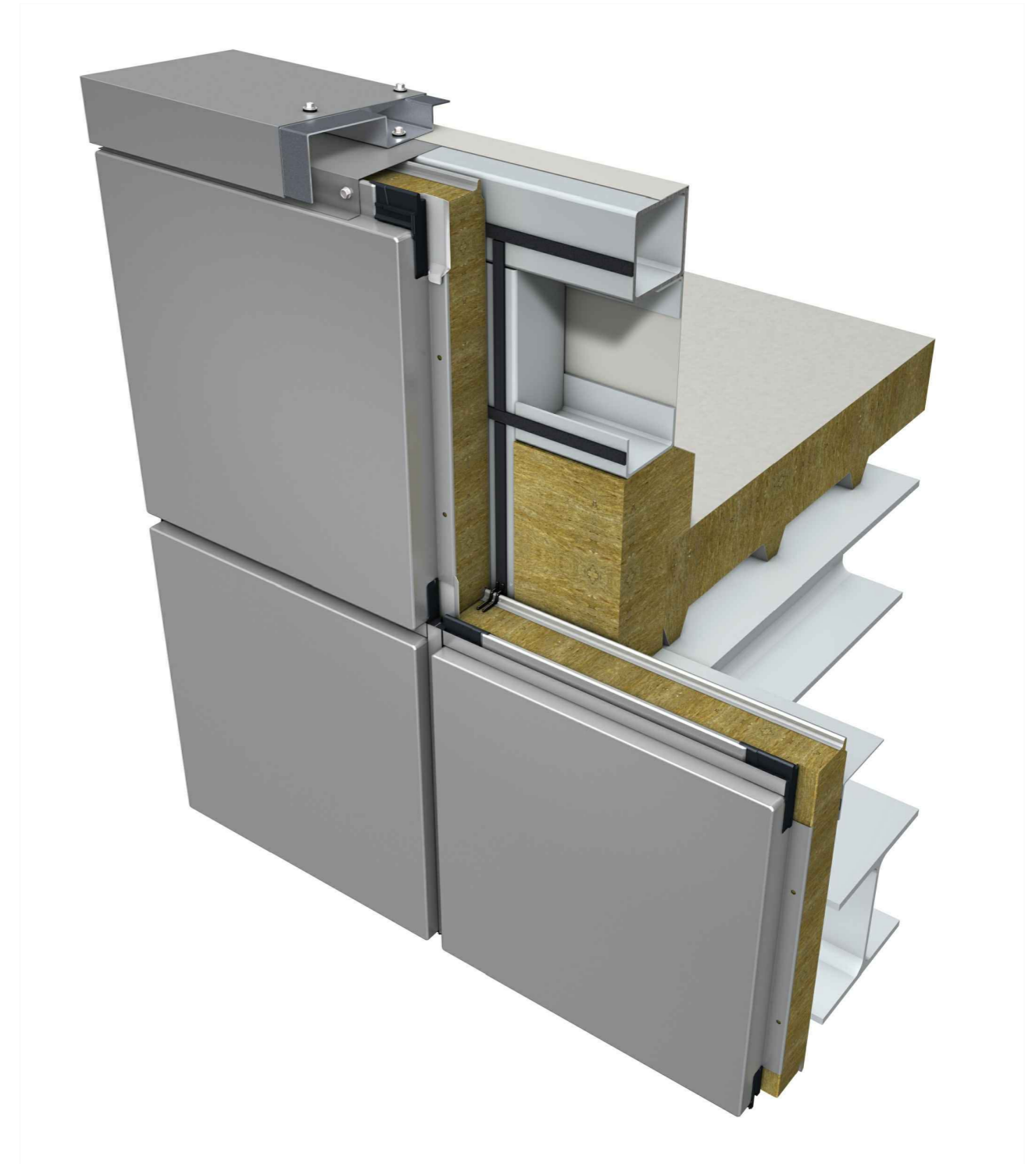
JOINT TYPE

- B - B BF - BF
- B - BF F - B
- BF - B F - BF

BUILDING APPLICATION

- External Facade External Soffit
- Internal Wall Internal Ceiling

DETAIL VIEW



- Parapet detail finish is done using a parapet wall cap.
- The sealing is performed by finishing joint elements in the transversal joint.

PARAPET

Trimo Group holds full copyrights on the information and details provided on this media, therefore any unauthorized reproduction and distribution is strictly prohibited.



HORIZONTAL INSTALLATION

QBISS ONE

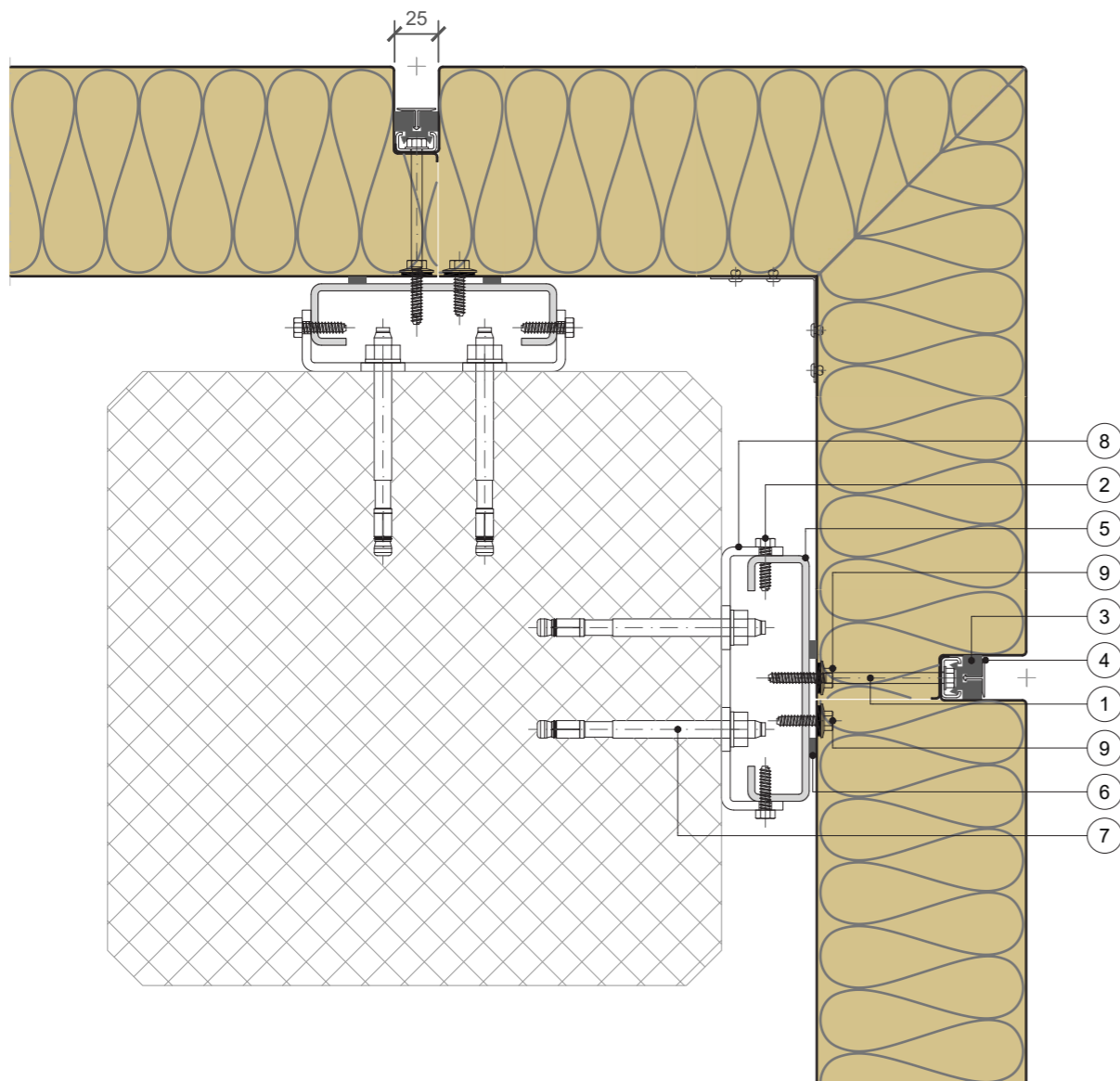
JOINT TYPE

- B - B
- B - BF
- BF - B
- BF - BF

BUILDING APPLICATION

- External Facade
- External Soffit
- Internal Wall
- Internal Ceiling

HORIZONTAL CUT



NOTE

- Direction of installation needs to be specified.
- The detail is suitable for substructure within ± 2 mm tolerance.

POS.	ELEMENTS	SCALE: M 1:4
1	Fixing screw	
2	Fixing screw	
3	EPDM Transversal gasket	
4	Decorative ALU extrusion	
5	Fast fixing adjustable leveling substructure - supporting	
6	Sealing tape	
7	Anchor bolt	
8	Fast fixing adjustable leveling substructure - load bearing	
9	Fixing screw	

EXTERNAL CORNER

Trimo Group holds full copyrights on the information and details provided on this media, therefore any unauthorized reproduction and distribution is strictly prohibited.



HORIZONTAL INSTALLATION

QBISS ONE

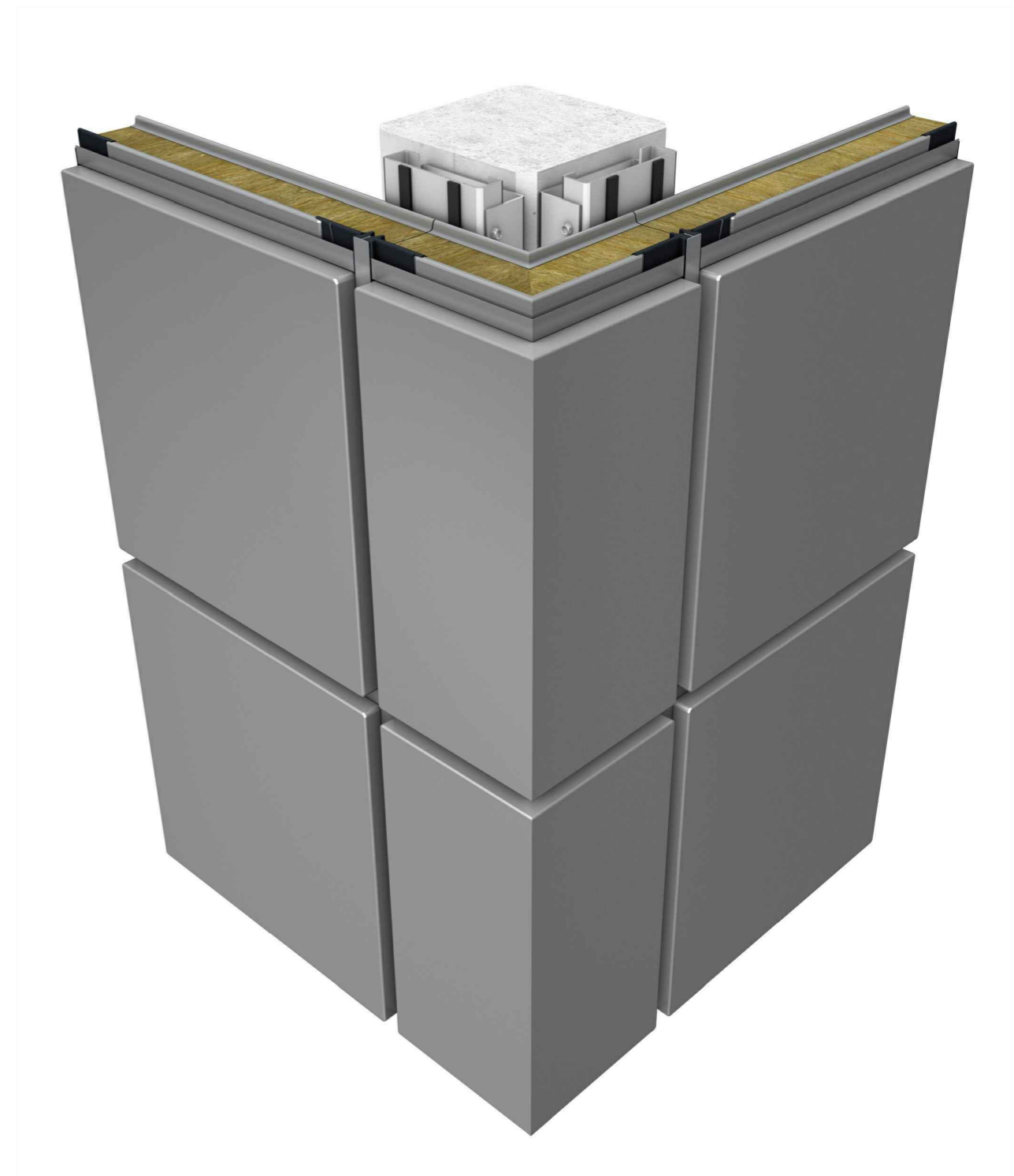
JOINT TYPE

- B - B
- B - BF
- BF - B
- BF - BF

BUILDING APPLICATION

- External Facade
- External Soffit
- Internal Wall
- Internal Ceiling

DETAIL VIEW



- External corner detail with horizontally laid corner elements offers a unique facade edge design.
- Final attachment of facade elements is done through attachment profiles after adjacent elements are in place.

EXTERNAL CORNER

Trimo Group holds full copyrights on the information and details provided on this media, therefore any unauthorized reproduction and distribution is strictly prohibited.



HORIZONTAL INSTALLATION

QBISS ONE

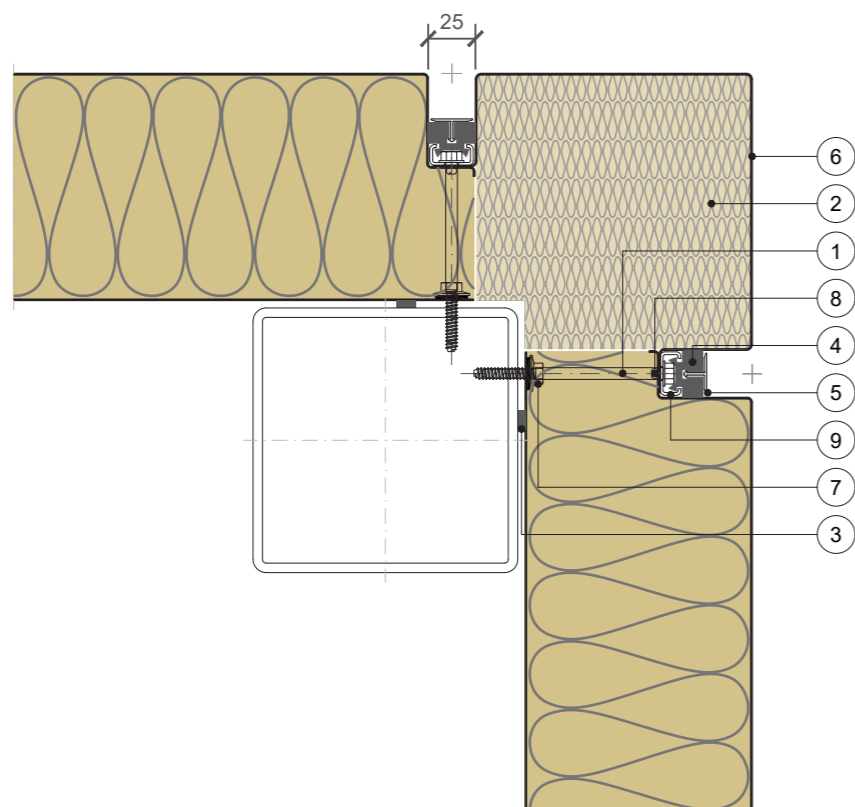
JOINT TYPE

- B - B
- B - BF
- BF - B
- BF - BF

BUILDING APPLICATION

- External Facade
- External Soffit
- Internal Wall
- Internal Ceiling

HORIZONTAL CUT



NOTE

- Flashing to be manufactured in accordance with site measurements. The flashing is to be fitted by a 50 mm overlap.
- Installation direction can be changed.
- Thermal Insulation to be inserted into flashing during the installation.
- The detail is suitable for substructure within ± 2 mm tolerance.
- Adjustable substructure to be used when tolerances are out of range.

POS.	ELEMENTS	SCALE: M 1:4
1	Fixing screw	
2	Insulation - MW	
3	Sealing tape	
4	EPDM Transversal gasket	
5	Decorative ALU extrusion	
6	Corner flashing - sharp edged	
7	Fixing screw	
8	Blind rivet	
9	Load bearing fixing plate	

EXTERNAL CORNER

Trimo Group holds full copyrights on the information and details provided on this media, therefore any unauthorized reproduction and distribution is strictly prohibited.



HORIZONTAL INSTALLATION

QBISS ONE

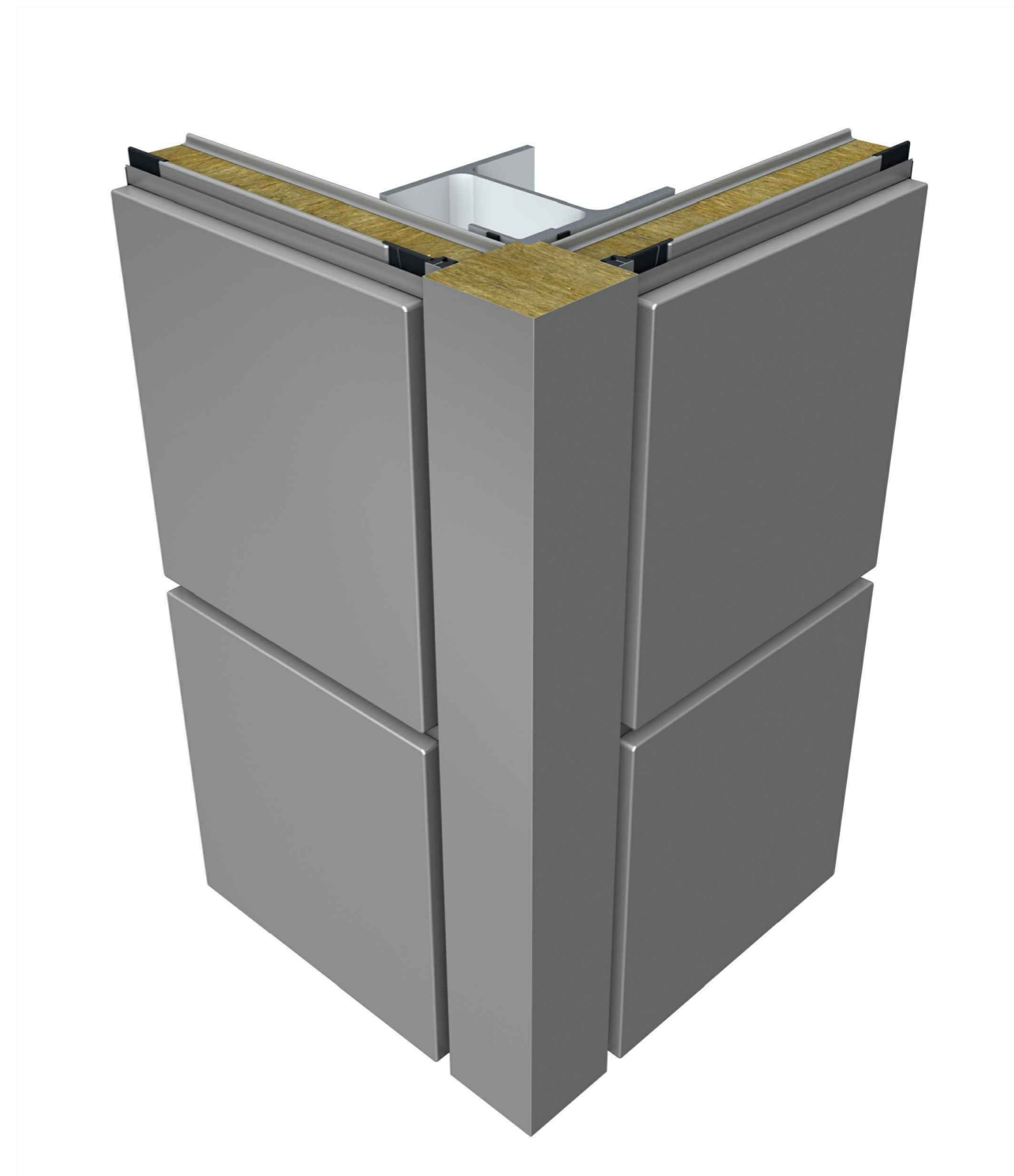
JOINT TYPE

- B - B
- B - BF
- BF - B
- BF - BF

BUILDING APPLICATION

- External Facade
- External Soffit
- Internal Wall
- Internal Ceiling

DETAIL VIEW



- External corner detail with horizontally laid corner elements offers a unique facade edge design.
- Final attachment of facade elements is done through attachment profiles after adjacent elements are in place.

EXTERNAL CORNER

Trimo Group holds full copyrights on the information and details provided on this media, therefore any unauthorized reproduction and distribution is strictly prohibited.



HORIZONTAL INSTALLATION

QBISS ONE

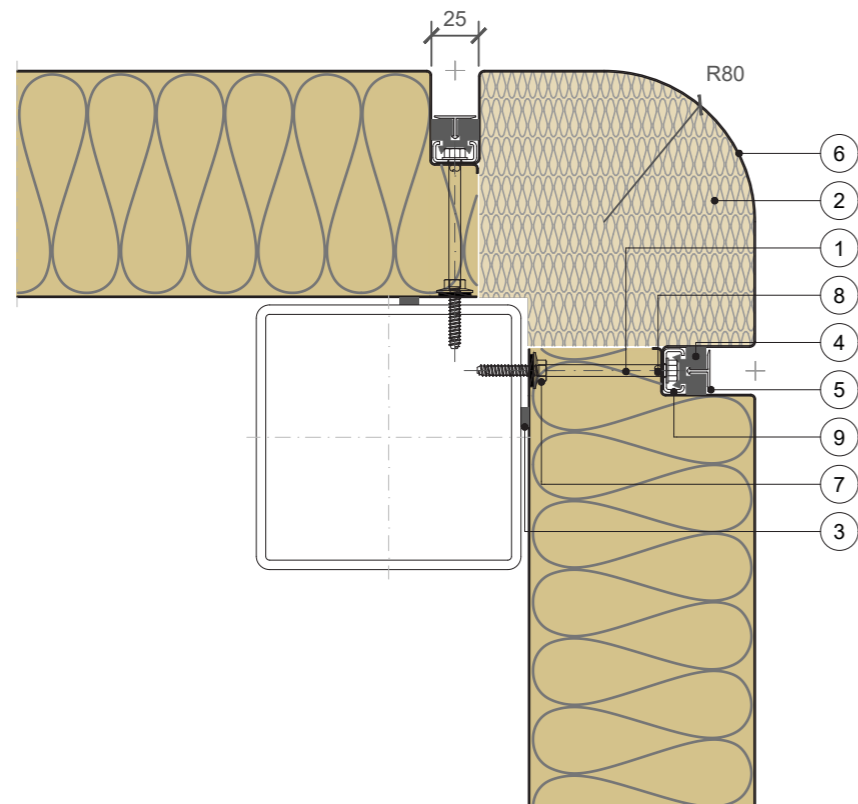
JOINT TYPE

- B - B
- B - BF
- BF - B
- F - BF

BUILDING APPLICATION

- External Facade
- External Soffit
- Internal Wall
- Internal Ceiling

HORIZONTAL CUT



NOTE

- Flashing to be manufactured in accordance with site measurements. The flashing is to be fitted by a 50 mm overlap.
- Installation direction can be changed.
- Thermal Insulation to be inserted into flashing during the installation.
- The detail is suitable for substructure within ± 2 mm tolerance.
- Adjustable substructure to be used when tolerances are out of range.

POS.	ELEMENTS	SCALE: M 1:4
1	Fixing screw	
2	Insulation - MW	
3	Sealing tape	
4	EPDM Transversal gasket	
5	Decorative ALU extrusion	
6	Corner flashing - curved	
7	Fixing screw	
8	Blind rivet	
9	Load bearing fixing plate	

EXTERNAL CORNER

Trimo Group holds full copyrights on the information and details provided on this media, therefore any unauthorized reproduction and distribution is strictly prohibited.



HORIZONTAL INSTALLATION

QBISS ONE

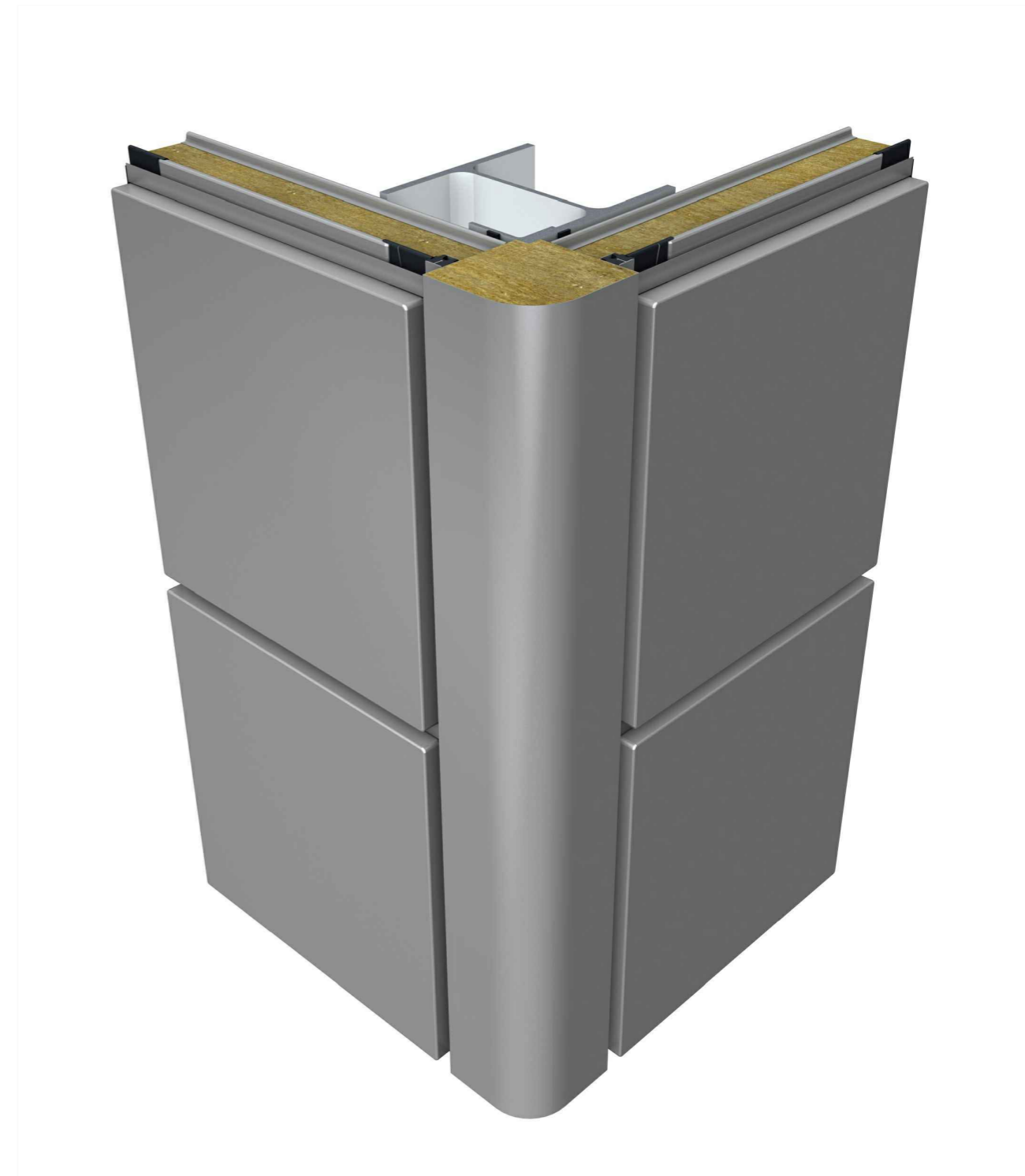
JOINT TYPE

- B - B
- B - BF
- BF - B
- F - BF

BUILDING APPLICATION

- External Facade
- External Soffit
- Internal Wall
- Internal Ceiling

DETAIL VIEW



- External corner detail with horizontally laid corner elements offers a unique facade edge design.
- Final attachment of facade elements is done through attachment profiles after adjacent elements are in place.

EXTERNAL CORNER

Trimo Group holds full copyrights on the information and details provided on this media, therefore any unauthorized reproduction and distribution is strictly prohibited.



HORIZONTAL INSTALLATION

QBISS ONE

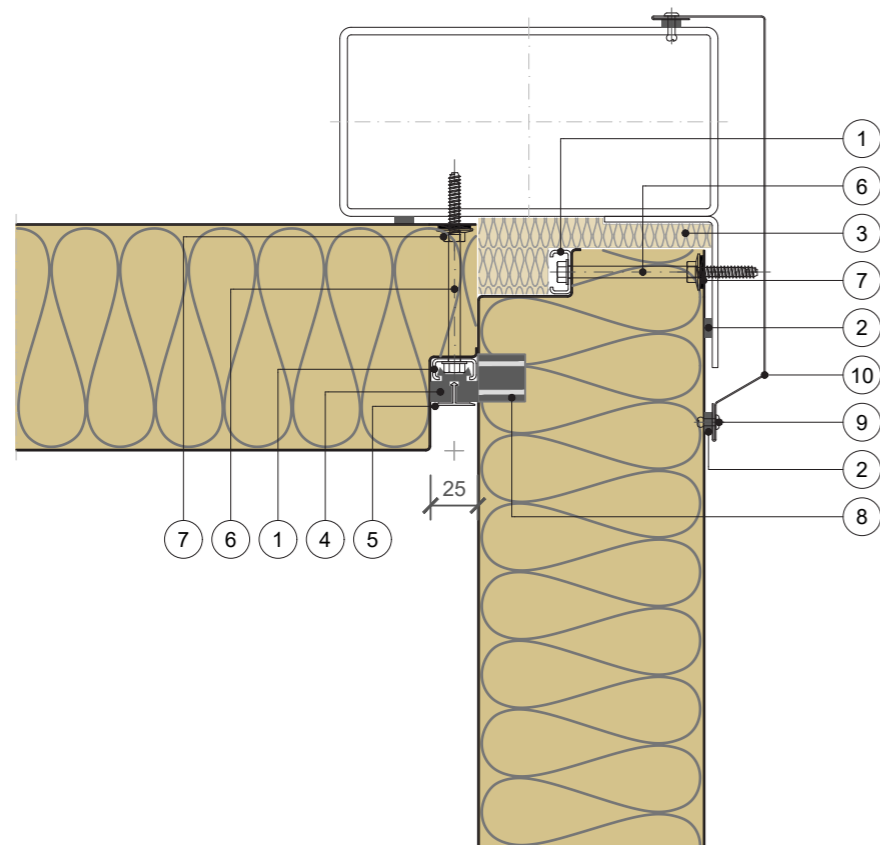
JOINT TYPE

- B - B
- B - BF
- BF - B
- F - B
- F - BF

BUILDING APPLICATION

- External Facade
- External Soffit
- Internal Wall
- Internal Ceiling

HORIZONTAL CUT



NOTE

- Direction of installation needs to be specified.
- The detail is suitable for substructure within ± 2 mm tolerance.
- Adjustable substructure to be used when tolerances are out of range.

POS.	ELEMENTS	SCALE: M 1:4
1	Load bearing fixing plate	
2	Sealing tape	
3	Insulation - MW	
4	EPDM Transversal gasket	
5	Decorative ALU extrusion	
6	Fixing screw	
7	Fixing screw	
8	EPDM cube gasket	
9	Blind rivet	
10	Corner flashing - inner	

INTERNAL CORNER

Trimo Group holds full copyrights on the information and details provided on this media, therefore any unauthorized reproduction and distribution is strictly prohibited.



HORIZONTAL INSTALLATION

QBISS ONE

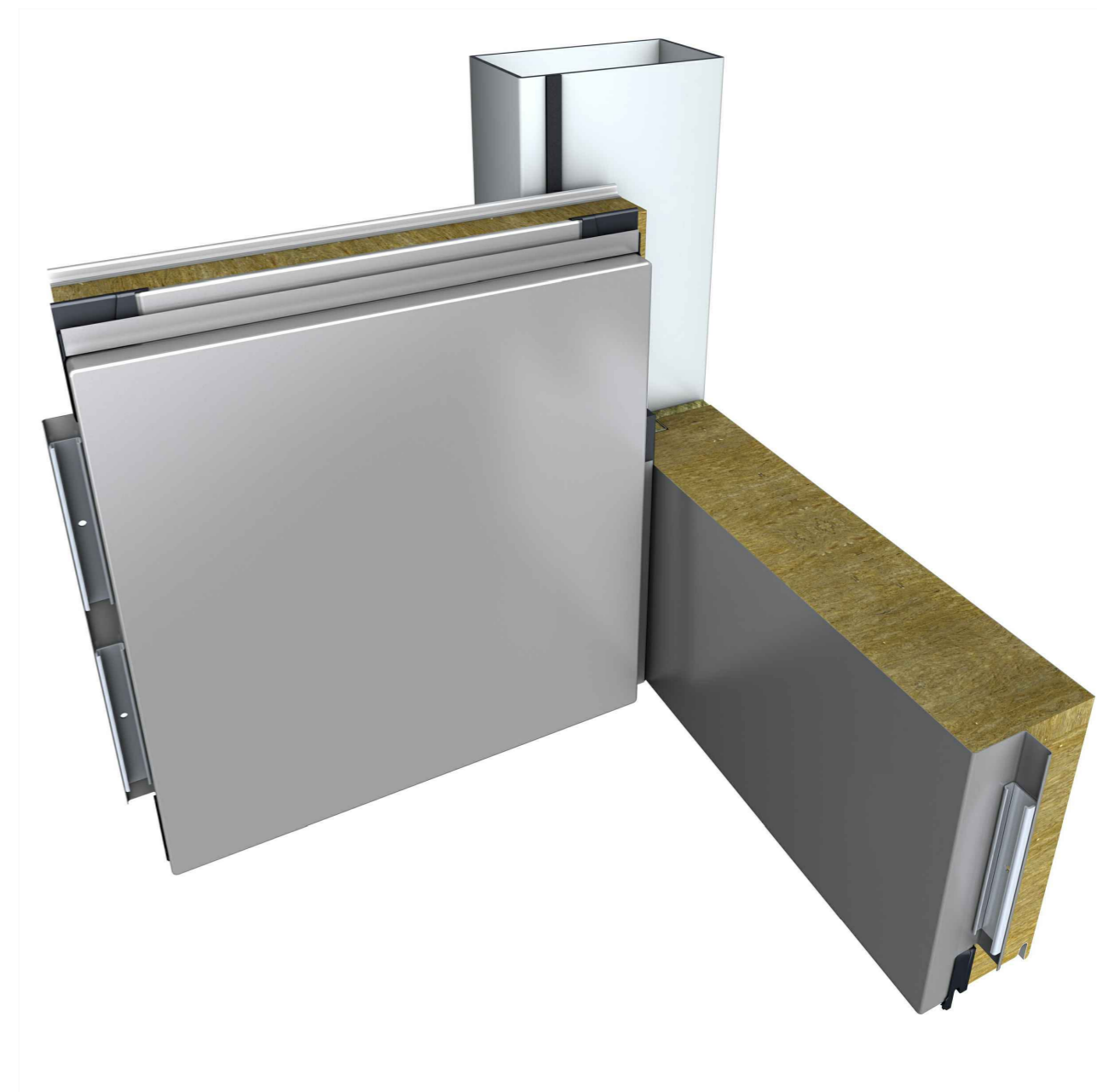
JOINT TYPE

- B - B
- B - BF
- BF - B
- F - B
- F - BF

BUILDING APPLICATION

- External Facade
- External Soffit
- Internal Wall
- Internal Ceiling

DETAIL VIEW



- Internal corner detail with horizontally laid Qbiss One elements offers a unique facade edge design.
- Sealing of a longitudinal joint is done using a square gasket.

INTERNAL CORNER

Trimo Group holds full copyrights on the information and details provided on this media, therefore any unauthorized reproduction and distribution is strictly prohibited.



HORIZONTAL INSTALLATION

QBISS ONE

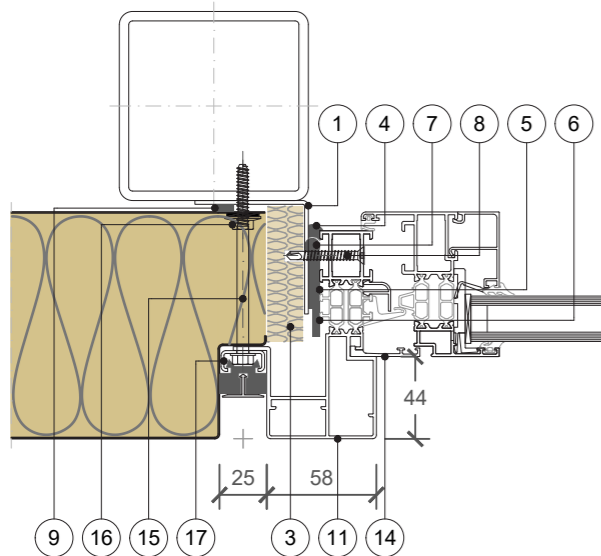
JOINT TYPE

- B - B
- B - BF
- BF - B
- BF - BF

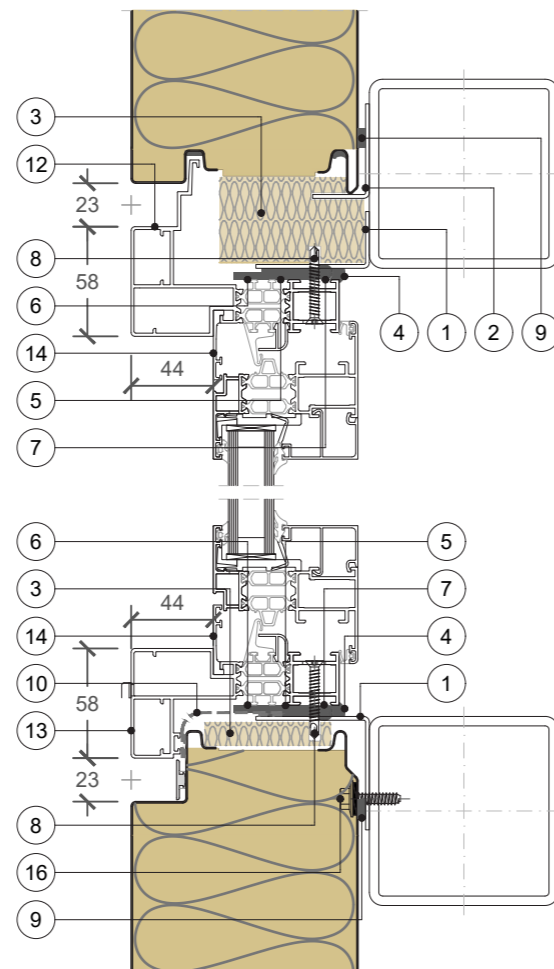
BUILDING APPLICATION

- External Facade
- External Soffit
- Internal Wall
- Internal Ceiling

HORIZONTAL CUT



VERTICAL CUT



NOTE

- The detail does not include window sash and associated seals.
- When window frame is longer than 6,5m a dilatation element is necessary.
- Seals and sashes are available at an additional cost. Glazing seals are in domain of the glass supplier.
- Direction of installation needs to be specified.
- The detail is suitable for substructure within ± 2 mm tolerance.

POS.	ELEMENTS	SCALE: M 1:4
1	Support frame	
2	Cladding element holder	
3	Insulation - MW	
4	Mastic sealant	
5	Insulation foam	
6	Sealing tape	
7	Sealing tape rounded	
8	Fixing screw	
9	Sealing tape	
10	EPDM membrane	
11	Window frame - cross joint - HF21	
12	Window frame - upper - HF16	
13	Window frame - bottom - HF17	
14	Outer glass fixing element - HF22	
15	Fixing screw	
16	Fixing screw	
17	Load bearing fixing plate	



HORIZONTAL INSTALLATION

QBISS ONE

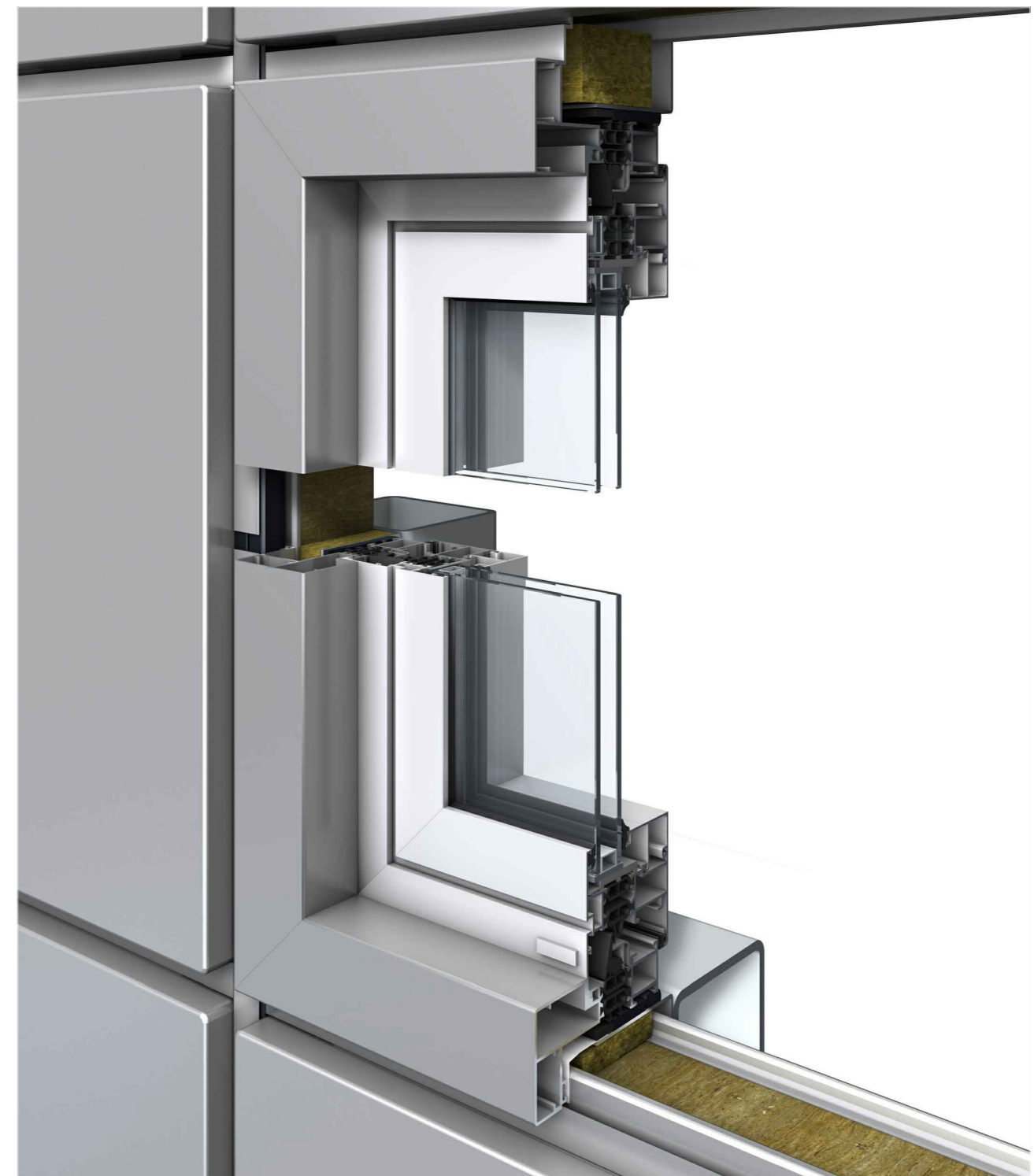
JOINT TYPE

- B - B
- B - BF
- BF - B
- BF - BF

BUILDING APPLICATION

- External Facade
- External Soffit
- Internal Wall
- Internal Ceiling

DETAIL VIEW



- Window detail can be finished quickly and repeatably. Details must respect simultaneous installation of the window and façade elements. Windows can be delivered to the site assembled or disassembled.



HORIZONTAL INSTALLATION

QBISS ONE

JOINT TYPE

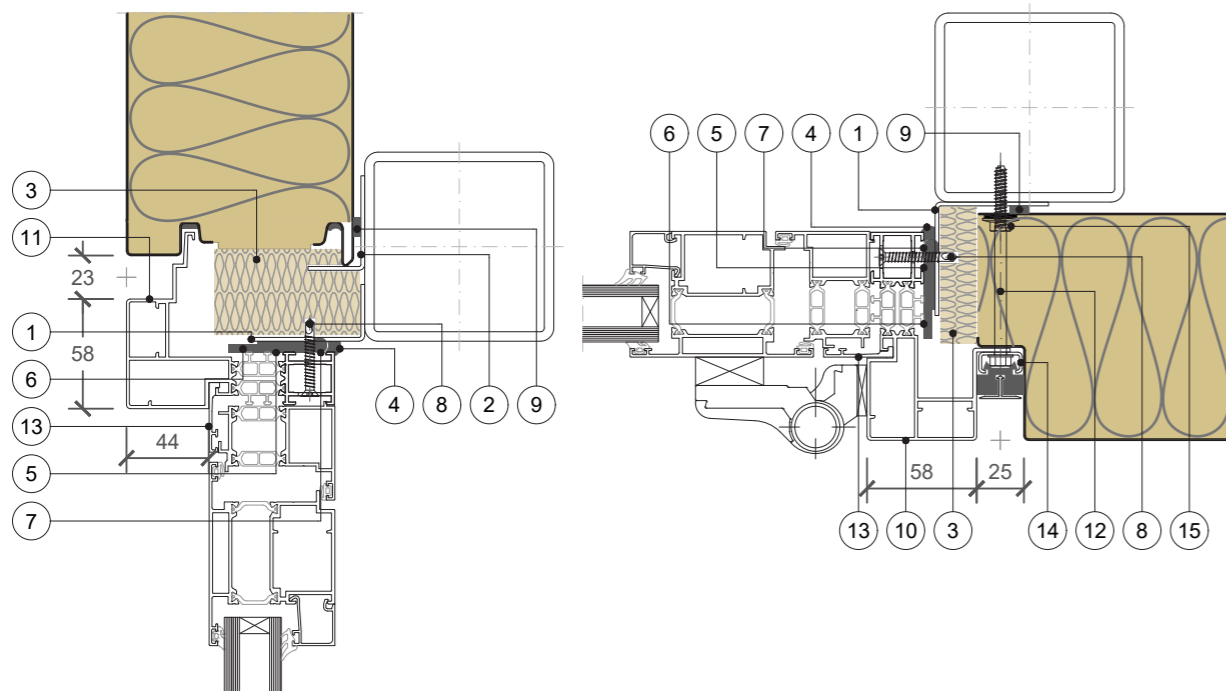
- B - B
- B - BF
- BF - B
- F - BF

BUILDING APPLICATION

- External Facade
- Internal Wall
- External Soffit
- Internal Ceiling

VERTICAL CUT

HORIZONTAL CUT



NOTE

- The detail does not include door sash and associated seals.
- When door frame is longer than 6,5m a dilatation element is necessary.
- Seals and sashes are available at an additional cost. Glazing seals in domain of the glass supplier.
- Direction of installation needs to be specified.
- The detail is suitable for substructure within ± 2 mm tolerance.

POS.	ELEMENTS	SCALE: M 1:4
1	Support frame	
2	Cladding element holder	
3	Insulation - MW	
4	Mastic sealant	
5	Insulation foam	
6	Sealing tape	
7	Sealing tape rounded	
8	Fixing screw	
9	Sealing tape	
10	Door frame - cross joint - HF21	
11	Door frame - upper - HF16	
12	Fixing screw	
13	Outer glass fixing element - HF22	
14	Load bearing fixing plate	
15	Fixing screw	

DOOR

Trimo Group holds full copyrights on the information and details provided on this media, therefore any unauthorized reproduction and distribution is strictly prohibited.



HORIZONTAL INSTALLATION

QBISS ONE

JOINT TYPE

- B - B
- B - BF
- BF - B
- F - BF

BUILDING APPLICATION

- External Facade
- Internal Wall
- External Soffit
- Internal Ceiling

DETAIL VIEW



- Door detail can be finished quickly and repeatably. Details must respect simultaneous installation of door and façade elements.
- Doors can be delivered to the site assembled or disassembled.

DOOR

Trimo Group holds full copyrights on the information and details provided on this media, therefore any unauthorized reproduction and distribution is strictly prohibited.



HORIZONTAL INSTALLATION

QBISS ONE

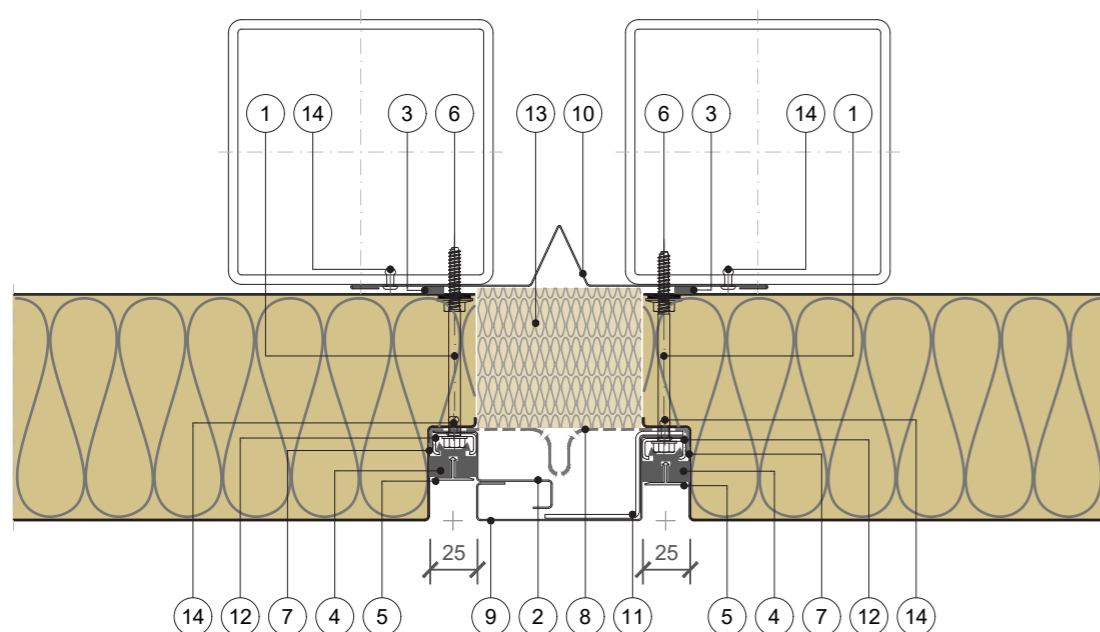
JOINT TYPE

- B - B BF - BF
- B - BF F - B
- BF - B F - BF

BUILDING APPLICATION

- External Facade External Soffit
- Internal Wall Internal Ceiling

HORIZONTAL CUT



NOTE

- Maximum dilatation allowed ± 25 mm.
- Direction of installation needs to be specified.
- The detail is suitable for substructure within ± 2 mm tolerance.
- Adjustable substructure to be used when tolerances are out of range.

POS.	ELEMENTS	SCALE: M 1:4
1	Fixing screw	
2	Dilatation flashing - intermediate	
3	Sealing tape	
4	EPDM Transversal gasket	
5	Decorative ALU extrusion	
6	Fixing screw	
7	EPDM membrane glue	
8	EPDM membrane	
9	Dilatation flashing - external	
10	Dilatation flashing - internal	
11	Z profile	
12	Load bearing fixing plate	
13	Insulation - MW	
14	Blind rivet	

DILATATION

Trimo Group holds full copyrights on the information and details provided on this media, therefore any unauthorized reproduction and distribution is strictly prohibited.



HORIZONTAL INSTALLATION

QBISS ONE

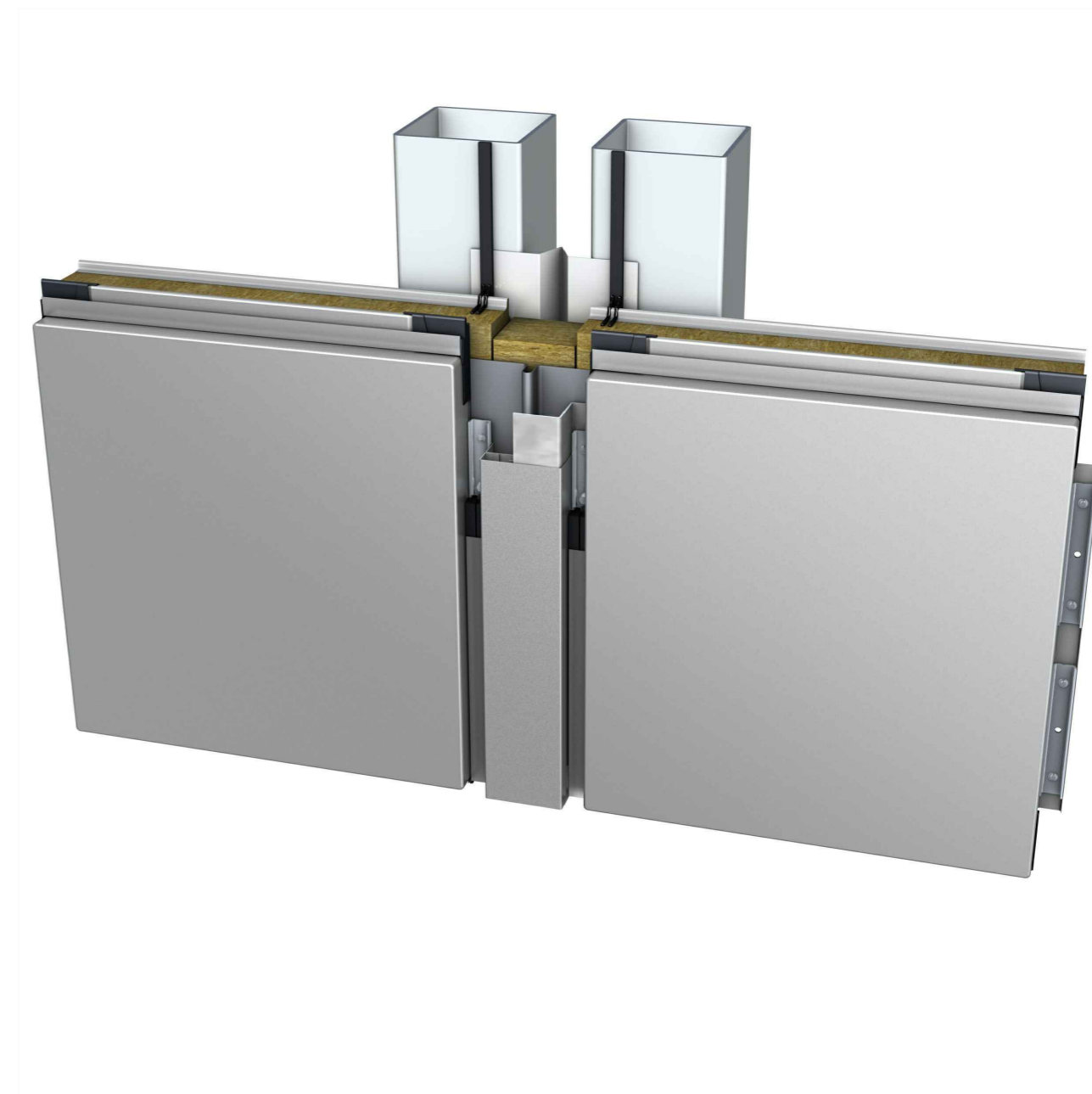
JOINT TYPE

- B - B BF - BF
- B - BF F - B
- BF - B F - BF

BUILDING APPLICATION

- External Facade External Soffit
- Internal Wall Internal Ceiling

DETAIL VIEW



- Dilatation detail enables compensation of expansion/shrinking of long façades and buildings for façades exceeding 50 m.

DILATATION

Trimo Group holds full copyrights on the information and details provided on this media, therefore any unauthorized reproduction and distribution is strictly prohibited.



HORIZONTAL INSTALLATION

QBISS ONE

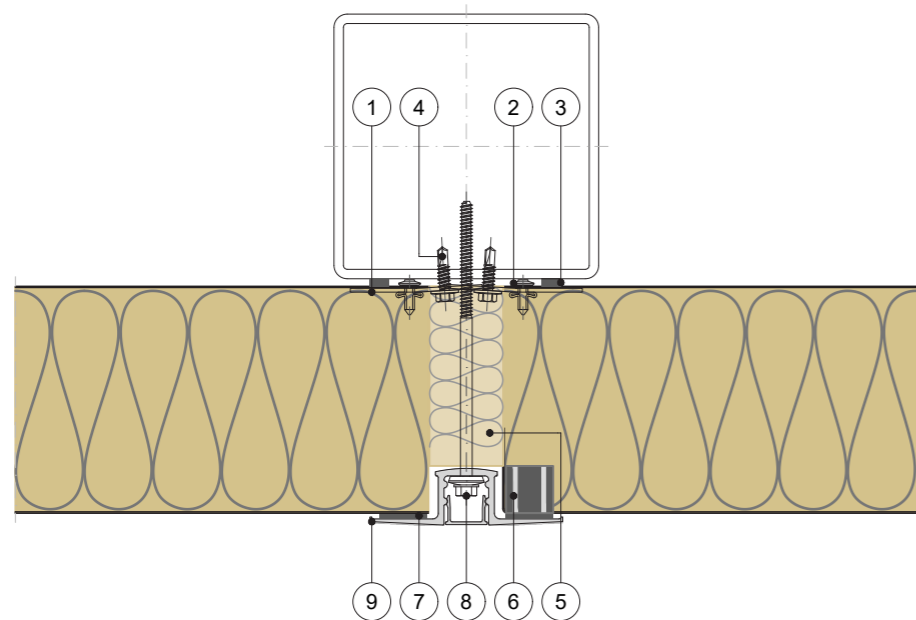
HORIZONTAL CUT

JOINT TYPE

- B - B
- B - BF
- BF - B
- F - BF

BUILDING APPLICATION

- External Facade
- Internal Wall
- External Soffit
- Internal Ceiling



NOTE

- Installation direction is optional.
- The detail is suitable for substructure within ± 2 mm tolerance.
- Adjustable substructure to be used when tolerances are out of range.

POS.	ELEMENTS	SCALE: M 1:4
1	Fixing element	
2	Bulb tite rivet	
3	Self adhesive sealing tape PE	
4	Fixing screw	
5	Thermal insulation	
6	EPDM cube gasket	
7	Self adhesive sealing tape EPDM	
8	Fixing screw	
9	HF102 aluminium fixing profile	

QBISS ONE - TRIMOTERM (JOINT)

Trimo Group holds full copyrights on the information and details provided on this media, therefore any unauthorized reproduction and distribution is strictly prohibited.



HORIZONTAL INSTALLATION

QBISS ONE

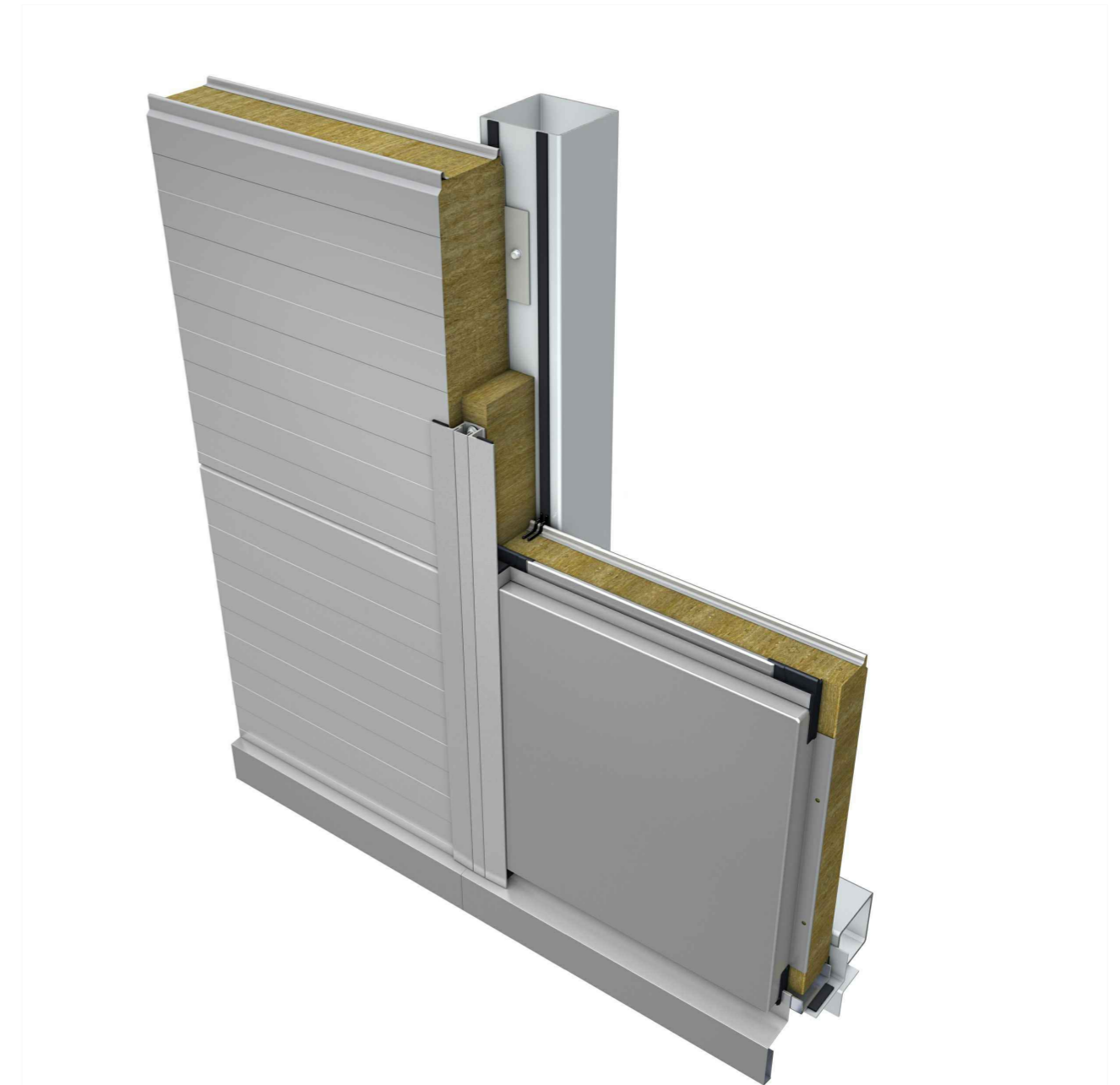
DETAIL VIEW

JOINT TYPE

- B - B
- B - BF
- BF - B
- F - BF

BUILDING APPLICATION

- External Facade
- Internal Wall
- External Soffit
- Internal Ceiling



QBISS ONE - TRIMOTERM (JOINT)

Trimo Group holds full copyrights on the information and details provided on this media, therefore any unauthorized reproduction and distribution is strictly prohibited.



HORIZONTAL INSTALLATION

QBISS ONE

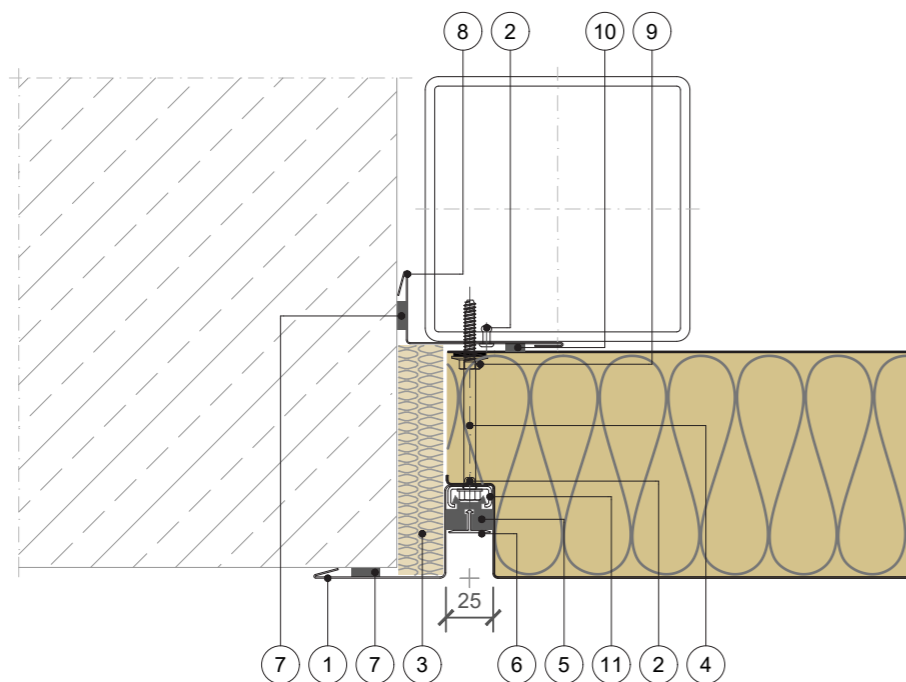
JOINT TYPE

- B - B
- BF - BF
- B - BF
- F - B
- BF - B
- F - BF

BUILDING APPLICATION

- External Facade
- External Soffit
- Internal Wall
- Internal Ceiling

HORIZONTAL CUT



NOTE

- Installation direction is optional.
- The detail is suitable for substructure within ± 2 mm tolerance.
- Adjustable substructure to be used when tolerances are out of range.

POS.	ELEMENTS	SCALE: M 1:4
1	Flashing	
2	Blind rivet	
3	Insulation - MW	
4	Fixing screw	
5	EPDM Transversal gasket	
6	Decorative ALU extrusion	
7	Sealing tape	
8	Corner flashing	
9	Fixing screw	
10	Sealing tape	
11	Load bearing fixing plate	

OTHER SYSTEM CONNECTION

Trimo Group holds full copyrights on the information and details provided on this media, therefore any unauthorized reproduction and distribution is strictly prohibited.



HORIZONTAL INSTALLATION

QBISS ONE

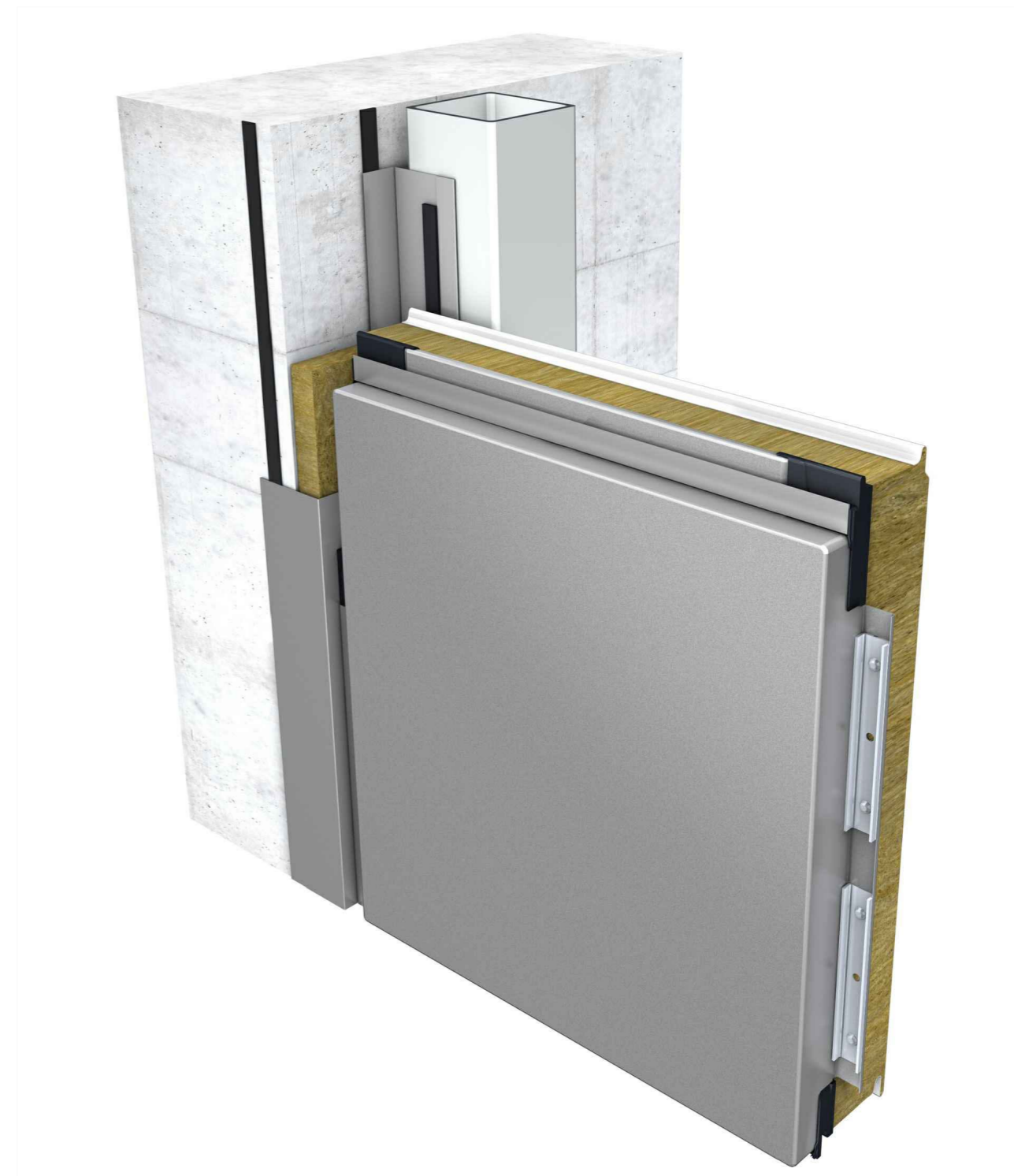
JOINT TYPE

- B - B
- BF - BF
- B - BF
- F - B
- BF - B
- F - BF

BUILDING APPLICATION

- External Facade
- External Soffit
- Internal Wall
- Internal Ceiling

DETAIL VIEW





- Wall connection detail detail with horizontally laid corner elements offers a unique facade connection to any other standard, concrete or brickwork facade available on the market. Space between two façade systems is sealed and filled with additional thermal insulation.

OTHER SYSTEM CONNECTION

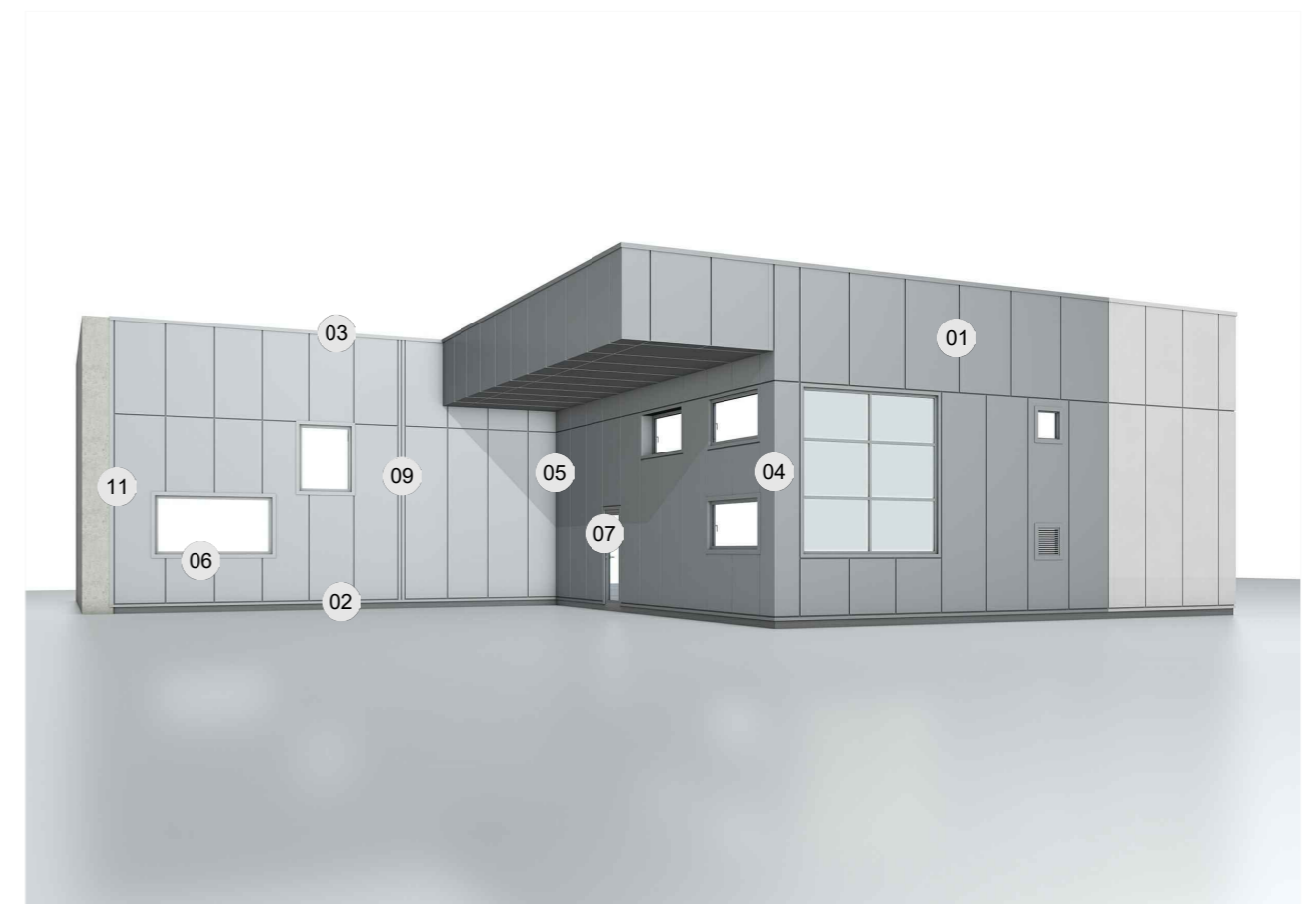
Trimo Group holds full copyrights on the information and details provided on this media, therefore any unauthorized reproduction and distribution is strictly prohibited.

**VERTICAL
INSTALLATION**

QBISS ONE

-  CAD download centre
-  BIM download centre

- QO-V-01 JOINT
- QO-V-02 BASE
- QO-V-03 PARAPET
- QO-V-04 EXTERNAL CORNER
- QO-V-05 INTERNAL CORNER
- QO-V-06 WINDOW
- QO-V-07 DOOR
- QO-V-09 DILATATION
- QO-V-11 OTHER SYSTEM CONNECTION



VERSION: I EN 14.02.2024 | ITID10DT201EN

SCHEME

Trimo Group holds full copyrights on the information and details provided on this media, therefore any unauthorized reproduction and distribution is strictly prohibited.



VERTICAL INSTALLATION

QBISS ONE

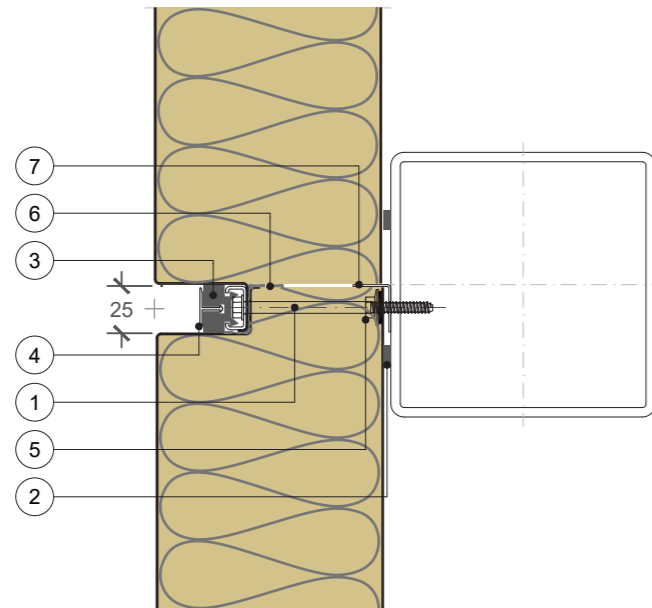
JOINT TYPE

- B - B
- B - BF
- BF - B
- BF - BF

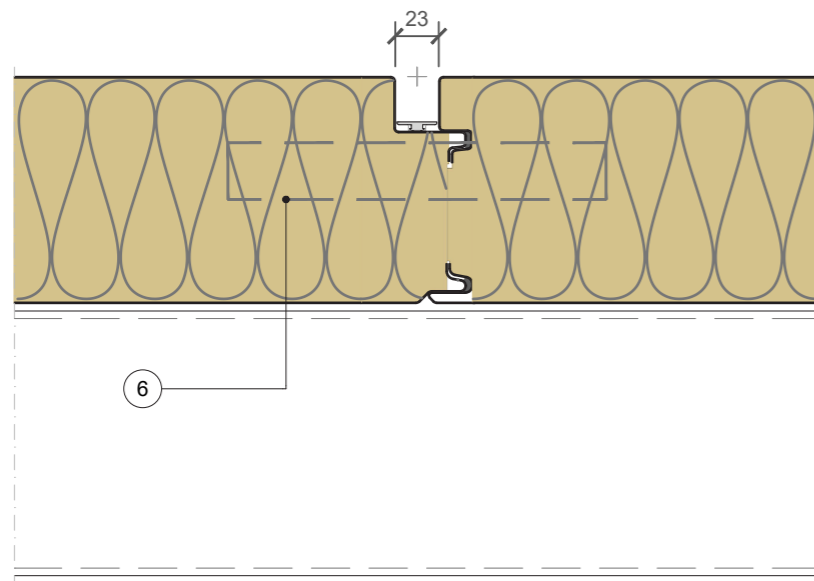
BUILDING APPLICATION

- External Facade
- External Soffit
- Internal Wall
- Internal Ceiling

VERTICAL CUT



HORIZONTAL CUT



NOTE

- Direction of installation needs to be specified.
- The detail is suitable for substructure within ± 2 mm tolerance.
- Adjustable substructure to be used when tolerances are out of range.

POS.	ELEMENTS	SCALE: M 1:4
1	Fixing screw	
2	Sealing tape	
3	EPDM Transversal gasket	
4	Decorative ALU extrusion	
5	Fixing screw	
6	PE-butyl tape	
7	Joint profile	

JOINT

Trimo Group holds full copyrights on the information and details provided on this media, therefore any unauthorized reproduction and distribution is strictly prohibited.



VERTICAL INSTALLATION

QBISS ONE

JOINT TYPE

- B - B
- B - BF
- BF - B
- BF - BF

BUILDING APPLICATION

- External Facade
- External Soffit
- Internal Wall
- Internal Ceiling

DETAIL VIEW



- Qbiss One façade element contains integrated corner gasket as part of Trimo patented sealing system.
- The sealing of the longitudinal joint is accomplished using a sealing tape, inserted gasket and Decorative ALU extrusion.

JOINT

Trimo Group holds full copyrights on the information and details provided on this media, therefore any unauthorized reproduction and distribution is strictly prohibited.

**VERTICAL
INSTALLATION****QBISS ONE**

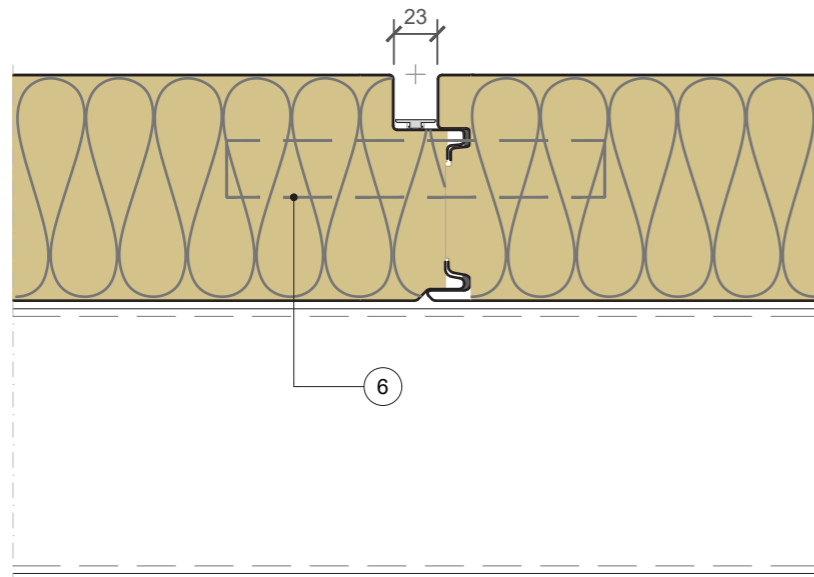
JOINT TYPE

- B - B BF - BF
- B - BF F - B
- BF - B F - BF

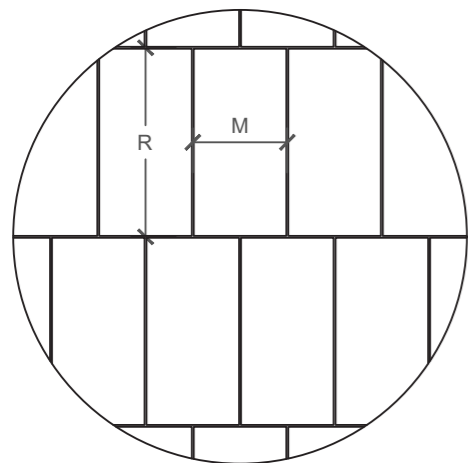
BUILDING APPLICATION

- External Facade External Soffit
- Internal Wall Internal Ceiling

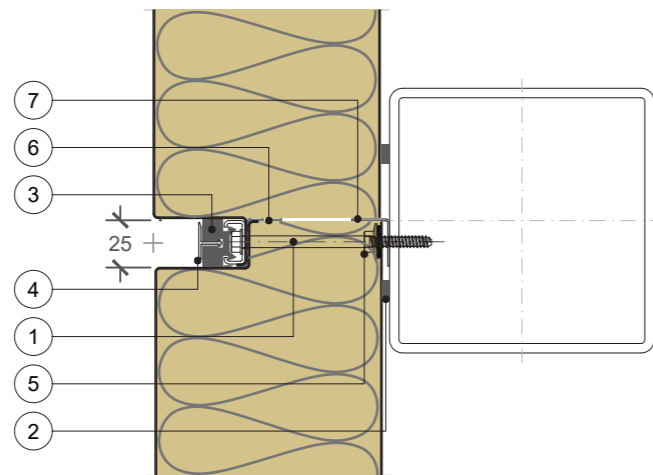
VERTICAL CUT



BRICK SYSTEM



VERTICAL CUT



NOTE

- Direction of installation needs to be specified.
- The detail is suitable for substructure within ± 2 mm tolerance.
- Adjustable substructure to be used when tolerances are out of range.

POS.	ELEMENTS	SCALE: M 1:4
1	Fixing screw	
2	Sealing tape	
3	EPDM Transversal gasket	
4	Decorative ALU extrusion	
5	Fixing screw	
6	PE-butyl tape	
7	Joint profile	

JOINT

Trimo Group holds full copyrights on the information and details provided on this media, therefore any unauthorized reproduction and distribution is strictly prohibited.

**VERTICAL
INSTALLATION****QBISS ONE**

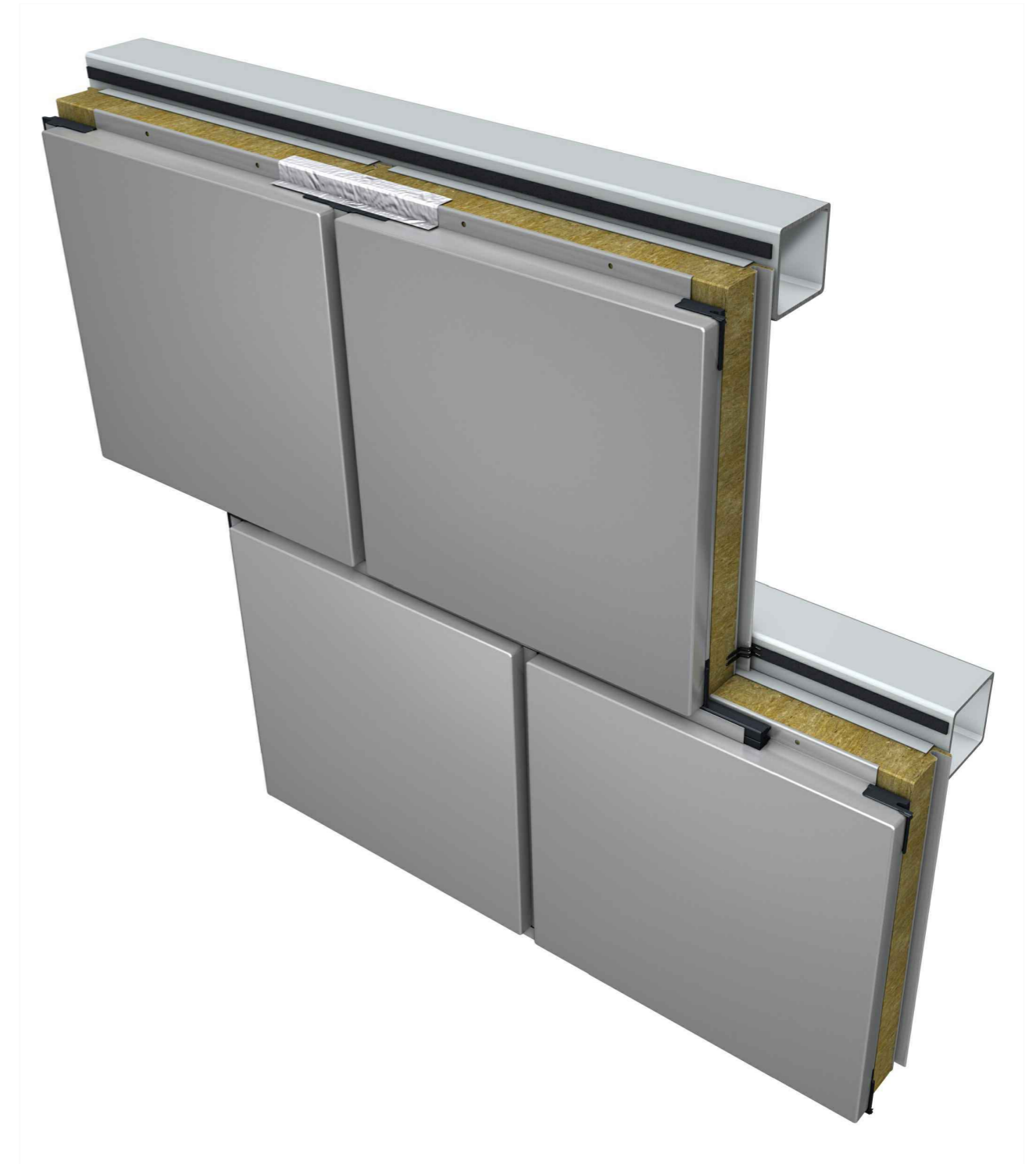
JOINT TYPE

- B - B BF - BF
- B - BF F - B
- BF - B F - BF

BUILDING APPLICATION

- External Facade External Soffit
- Internal Wall Internal Ceiling

DETAIL VIEW



- Brick system detail enables façade element to be shifted by a portion of the length of the bottom element. For sufficient sealing butyl tape must be applied.

JOINT

Trimo Group holds full copyrights on the information and details provided on this media, therefore any unauthorized reproduction and distribution is strictly prohibited.



VERTICAL INSTALLATION

QBISS ONE

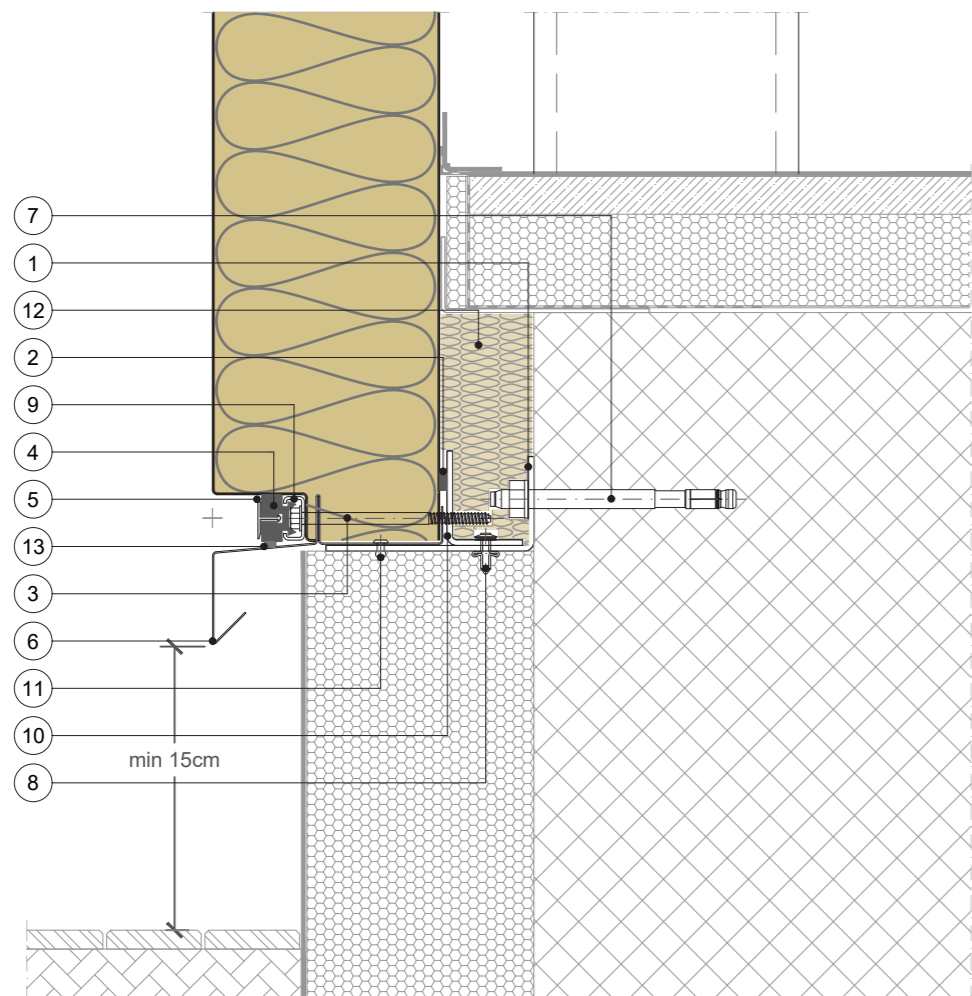
JOINT TYPE

- B - B
- B - BF
- BF - B
- BF - BF

BUILDING APPLICATION

- External Facade
- Internal Wall
- External Soffit
- Internal Ceiling

VERTICAL CUT



NOTE

- Direction of installation needs to be specified.
- The detail is suitable for substructure within ± 2 mm tolerance.
- Adjustable substructure to be used when tolerances are out of range.

POS.	ELEMENTS	SCALE: M 1:4
1	Cladding element holder L profile	
2	Sealing tape	
3	Fixing Screw (with respect to the static calculation)	
4	EPDM Transversal gasket	
5	Decorative ALU extrusion	
6	Drip flashing	
7	Anchor bolt	
8	Bulb tite rivet	
9	Load bearing fixing plate	
10	Cladding element holder L profile	
11	Blind rivet	
12	Insulation - MW	
13	Mastic sealant EPDM	

BASE

Trimo Group holds full copyrights on the information and details provided on this media, therefore any unauthorized reproduction and distribution is strictly prohibited.



VERTICAL INSTALLATION

QBISS ONE

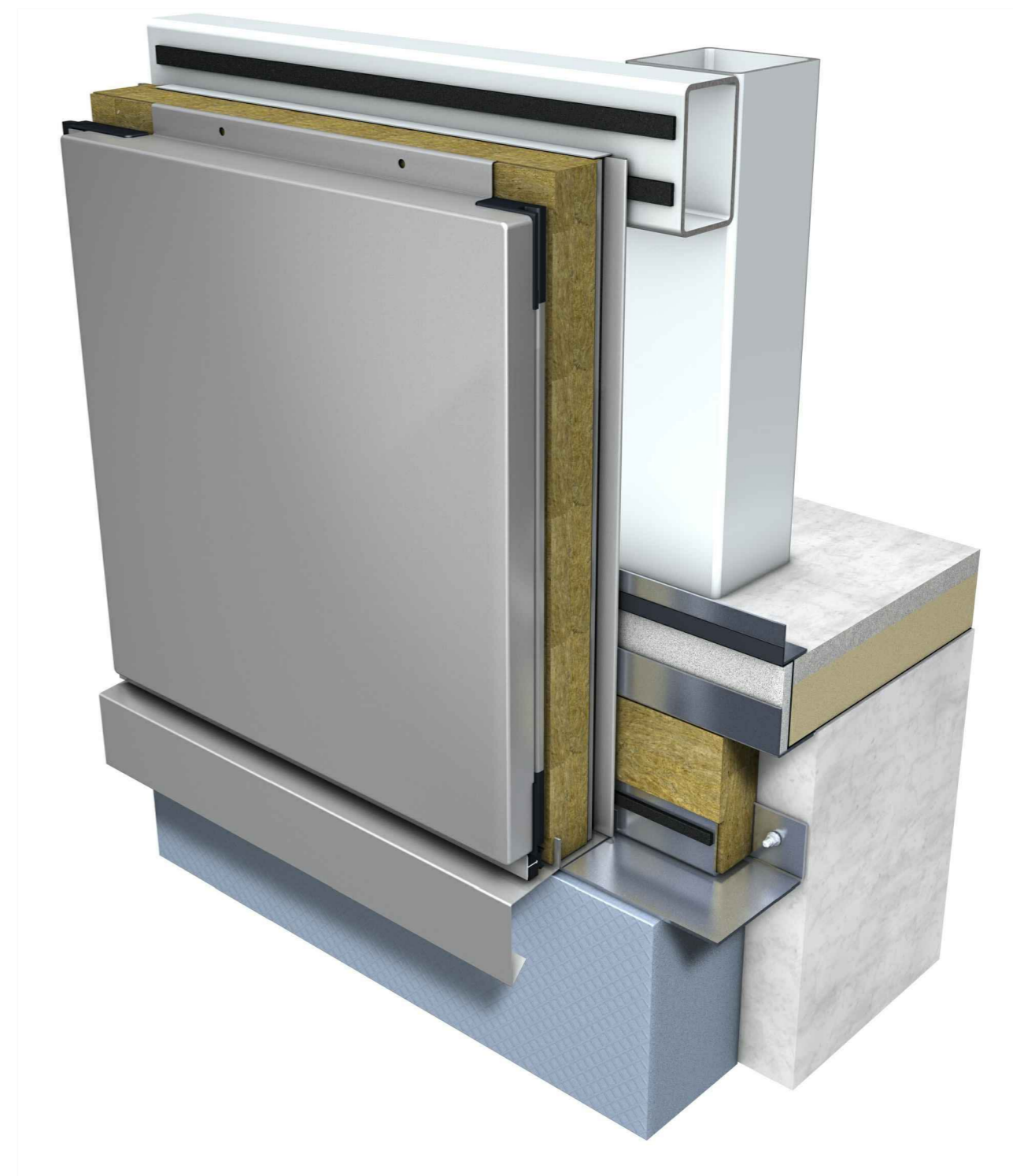
JOINT TYPE

- B - B
- B - BF
- BF - B
- BF - BF

BUILDING APPLICATION

- External Facade
- Internal Wall
- External Soffit
- Internal Ceiling

DETAIL VIEW



- Base system detail sealing of the longitudinal joint is performed by inserting the transversal gasket and the decorative profile into the transversal joint.

BASE

Trimo Group holds full copyrights on the information and details provided on this media, therefore any unauthorized reproduction and distribution is strictly prohibited.



VERTICAL INSTALLATION

QBISS ONE

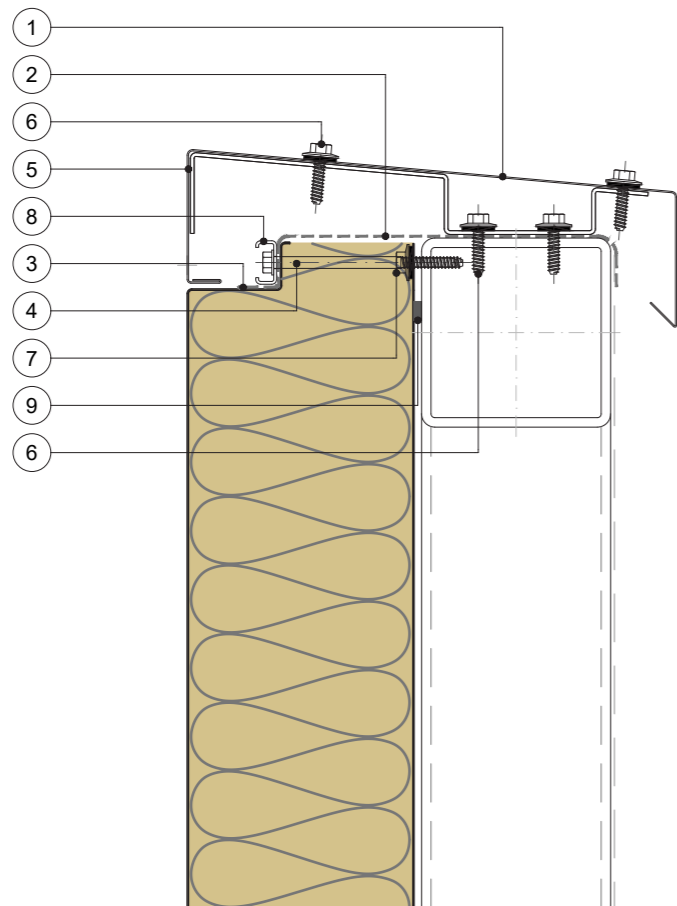
JOINT TYPE

- B - B
- B - BF
- B - BF
- BF - B
- BF - BF

BUILDING APPLICATION

- External Facade
- External Soffit
- Internal Wall
- Internal Ceiling

VERTICAL CUT



NOTE

- Direction of installation needs to be specified.
- The detail is suitable for substructure within ± 2 mm tolerance.
- Adjustable substructure to be used when tolerances are out of range.

POS.	ELEMENTS	SCALE: M 1:4
1	Parapet cap	
2	EPDM membrane	
3	EPDM membrane glue	
4	Fixing screw	
5	Parapet cap support profile	
6	Fixing screw	
7	Fixing screw	
8	Load bearing fixing plate	
9	Sealing tape	

PARAPET

Trimo Group holds full copyrights on the information and details provided on this media, therefore any unauthorized reproduction and distribution is strictly prohibited.



VERTICAL INSTALLATION

QBISS ONE

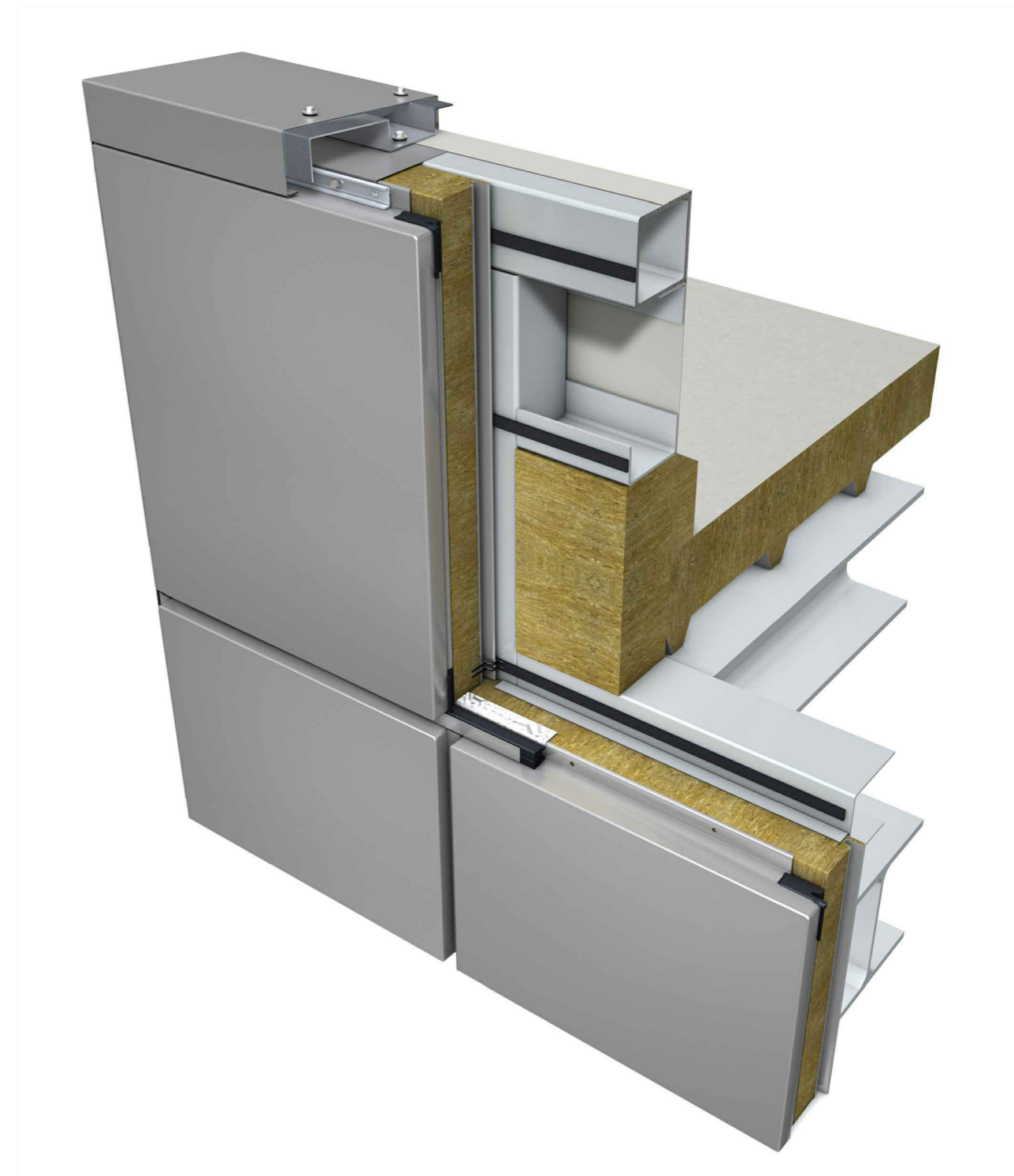
JOINT TYPE

- B - B
- B - BF
- B - BF
- BF - B
- BF - BF

BUILDING APPLICATION

- External Facade
- External Soffit
- Internal Wall
- Internal Ceiling

DETAIL VIEW



- Parapet detail finish is done using a parapet wall cap. The sealing is performed by finishing joint elements in the longitudinal joint.

PARAPET

Trimo Group holds full copyrights on the information and details provided on this media, therefore any unauthorized reproduction and distribution is strictly prohibited.

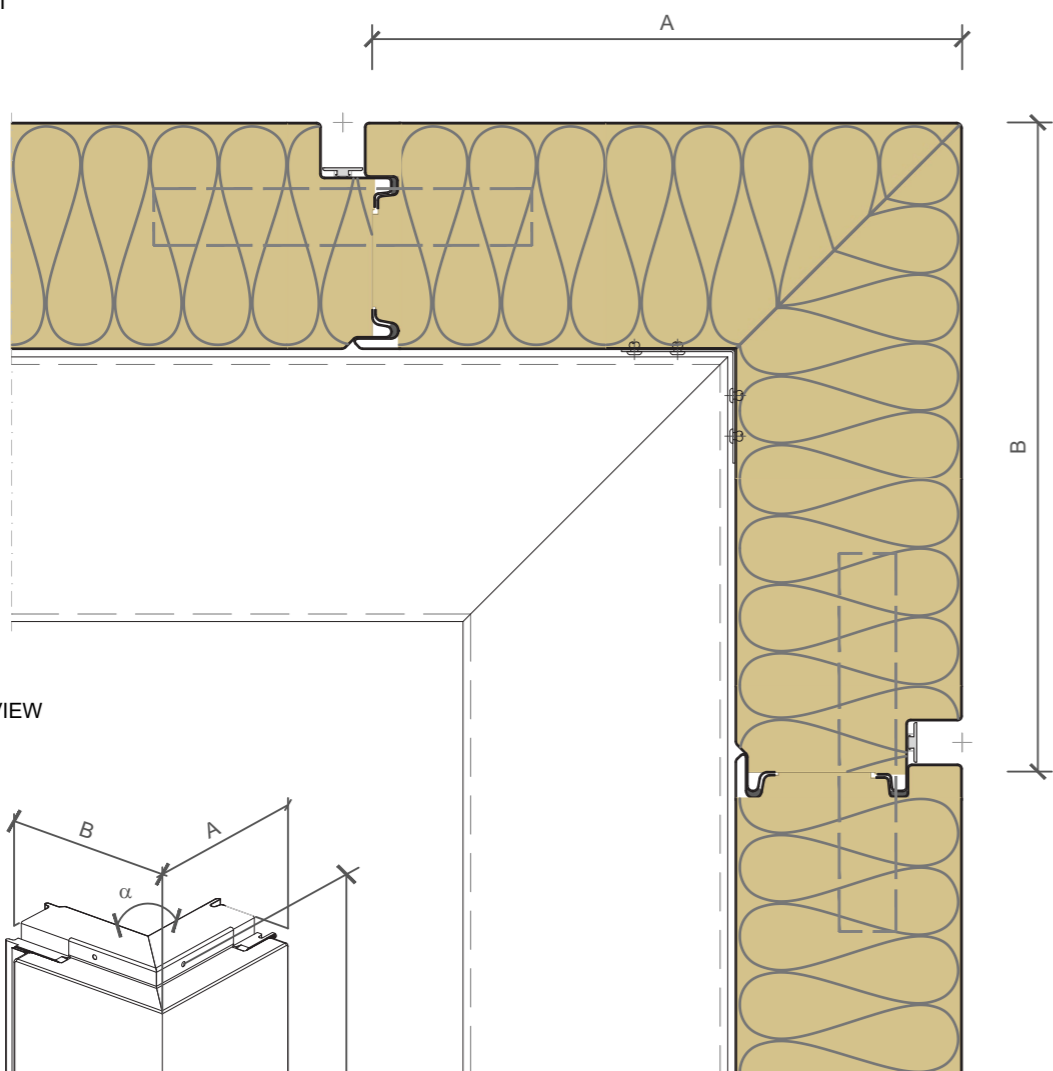


VERTICAL INSTALLATION

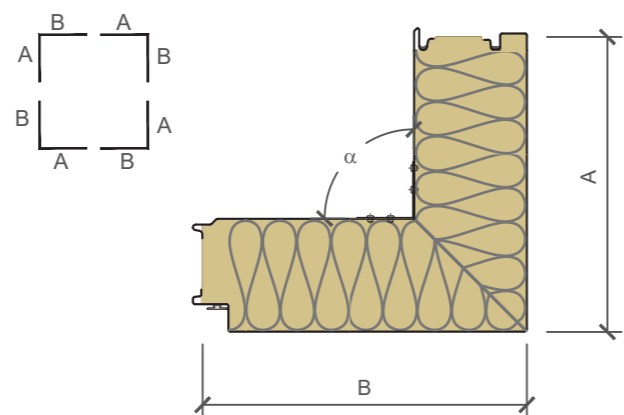
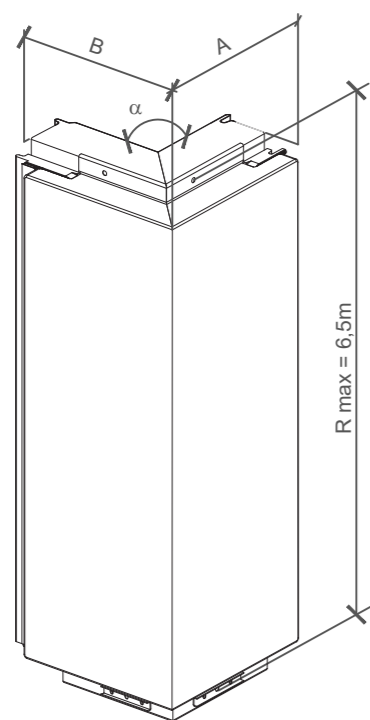
QBISS ONE

- | JOINT TYPE | | BUILDING APPLICATION | |
|--|-------------------------------|--|--|
| <input checked="" type="radio"/> B - B | <input type="radio"/> BF - BF | <input checked="" type="radio"/> External Facade | <input type="radio"/> External Soffit |
| <input type="radio"/> B - BF | <input type="radio"/> F - B | <input type="radio"/> Internal Wall | <input type="radio"/> Internal Ceiling |
| <input type="radio"/> BF - B | <input type="radio"/> F - BF | | |

HORIZONTAL CUT



AXONOMETRIC VIEW



NOTE

- Direction of installation needs to be specified.
- The detail is suitable for substructure within ± 2 mm tolerance.
- Adjustable substructure to be used when tolerances are out of range.

SCALE: M 1:4

EXTERNAL CORNER

Trimo Group holds full copyrights on the information and details provided on this media, therefore any unauthorized reproduction and distribution is strictly prohibited.

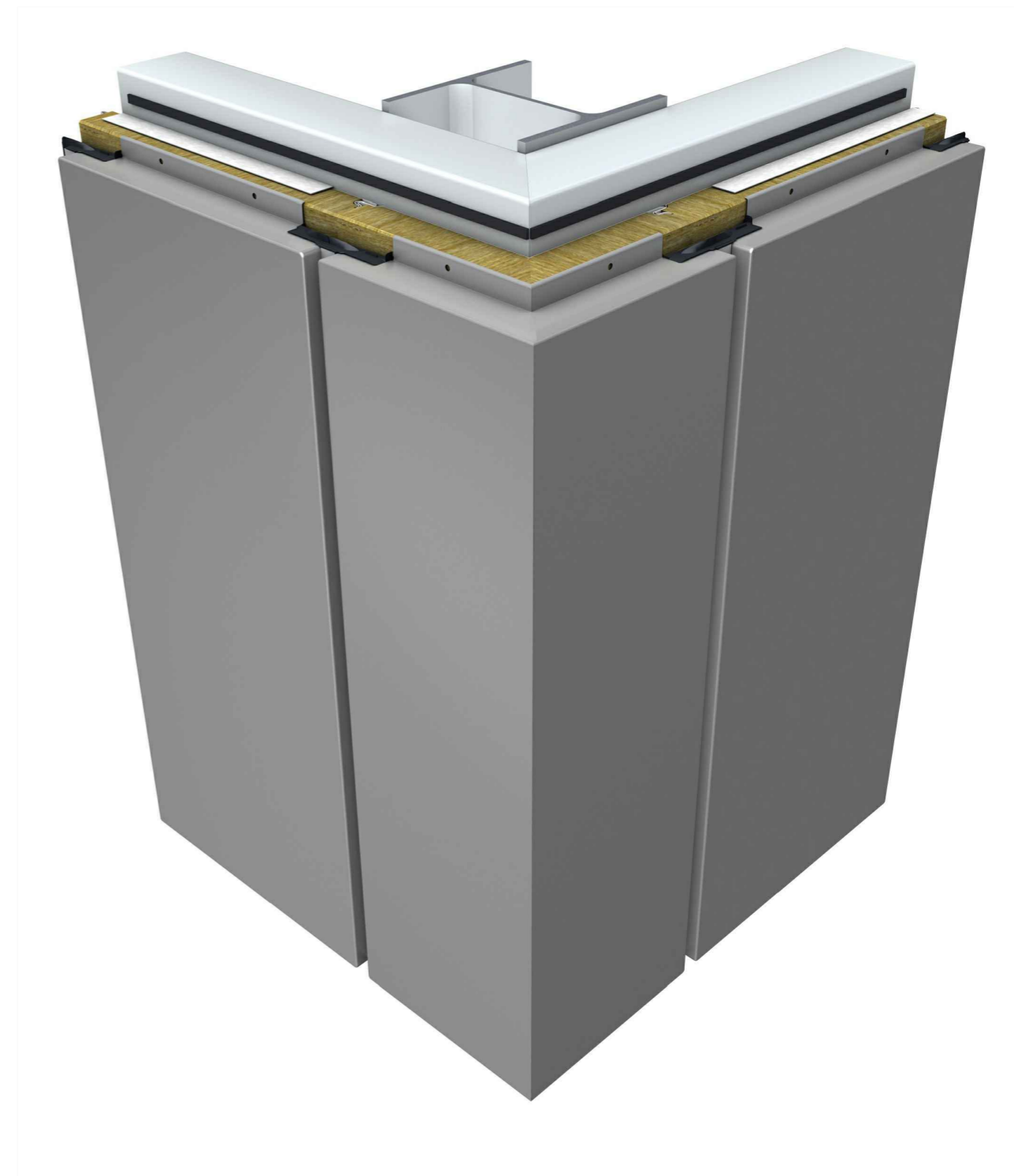


VERTICAL INSTALLATION

QBISS ONE

- | JOINT TYPE | | BUILDING APPLICATION | |
|--|-------------------------------|--|--|
| <input checked="" type="radio"/> B - B | <input type="radio"/> BF - BF | <input checked="" type="radio"/> External Facade | <input type="radio"/> External Soffit |
| <input type="radio"/> B - BF | <input type="radio"/> F - B | <input type="radio"/> Internal Wall | <input type="radio"/> Internal Ceiling |
| <input type="radio"/> BF - B | <input type="radio"/> F - BF | | |

DETAIL VIEW



- External corner detail with vertically laid corner elements offers a unique facade edge design. Final attachment of facade elements is done through attachment profiles after adjacent elements are in place.

EXTERNAL CORNER

Trimo Group holds full copyrights on the information and details provided on this media, therefore any unauthorized reproduction and distribution is strictly prohibited.



VERTICAL INSTALLATION

QBISS ONE

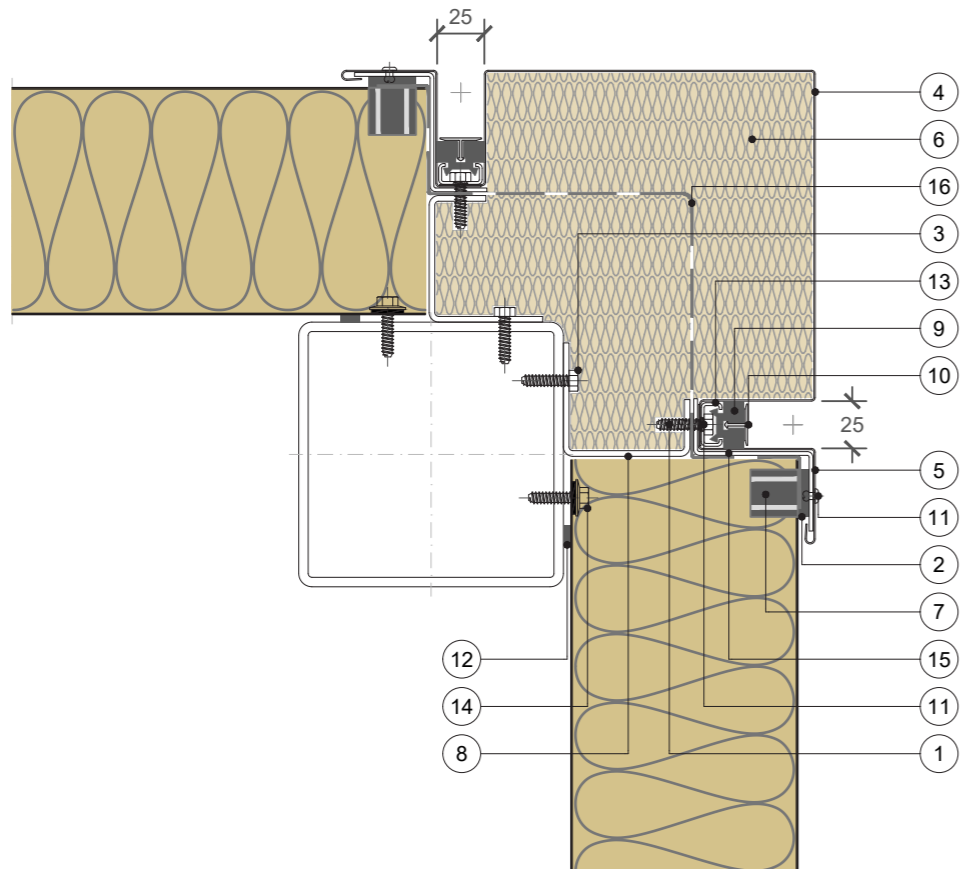
JOINT TYPE

- B - B BF - BF
- B - BF F - B
- BF - B F - BF

BUILDING APPLICATION

- External Facade External Soffit
- Internal Wall Internal Ceiling

HORIZONTAL CUT



NOTE

- Installation direction is optional.
- The detail is suitable for substructure within ± 2 mm tolerance.
- Adjustable substructure to be used when tolerances are out of range.

POS.	ELEMENTS	SCALE: M 1:4
1	Fixing screw	
2	Sealing tape EPDM	
3	Fixing screw	
4	Corner element - sharp edged	
5	Joint corner flashing	
6	Thermal Insulation - MW	
7	EPDM cube gasket	
8	C-profile	
9	EPDM Transversal gasket	
10	Decorative ALU extrusion	
11	Blind rivet	
12	Sealing tape	
13	Load bearing fixing plate	
14	Fixing screw	
15	Corner flashing Z support	
16	EPDM membrane	

EXTERNAL CORNER

Trimo Group holds full copyrights on the information and details provided on this media, therefore any unauthorized reproduction and distribution is strictly prohibited.



VERTICAL INSTALLATION

QBISS ONE

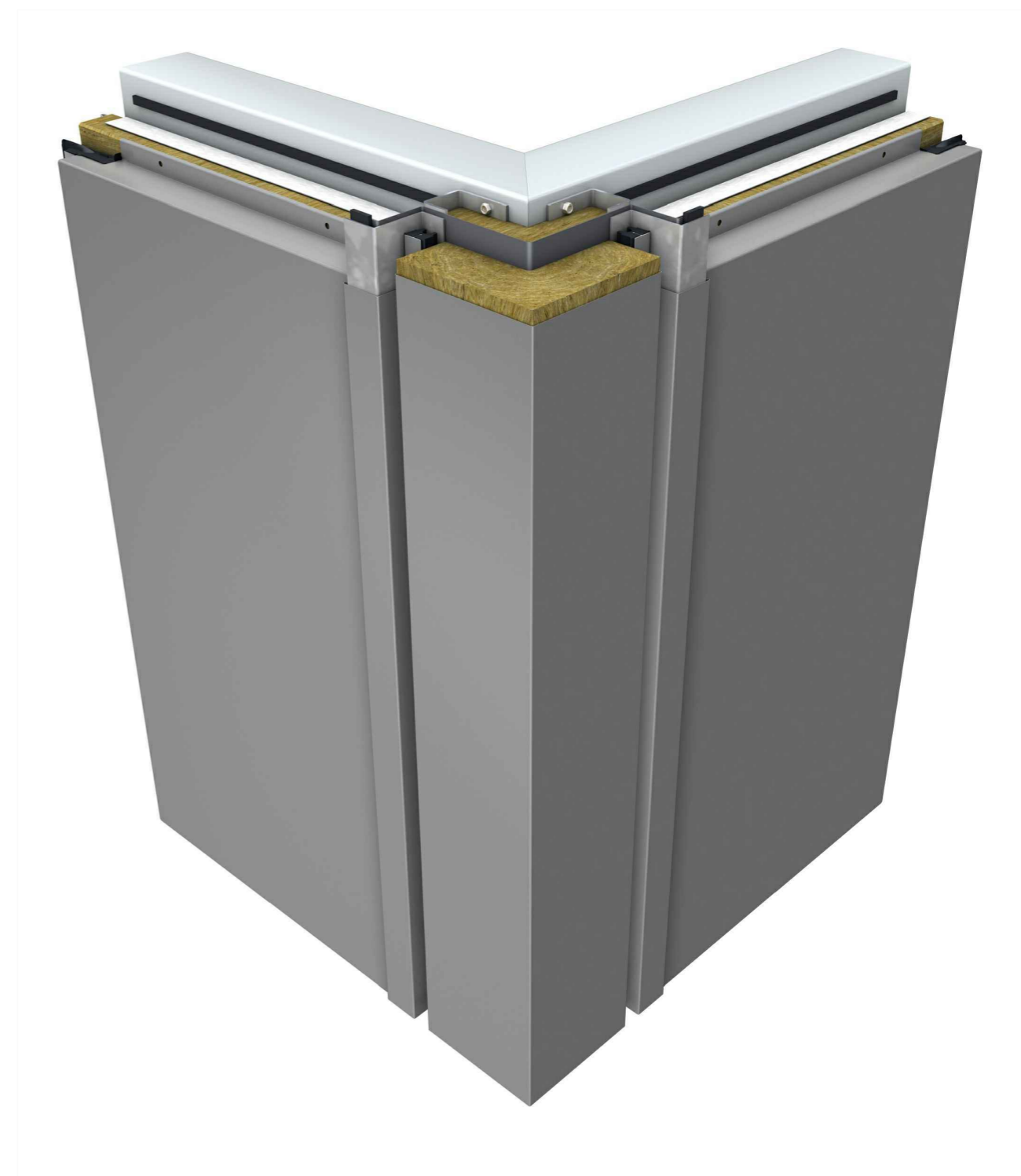
JOINT TYPE

- B - B BF - BF
- B - BF F - B
- BF - B F - BF

BUILDING APPLICATION

- External Facade External Soffit
- Internal Wall Internal Ceiling

DETAIL VIEW



- External corner detail with vertically laid corner elements offers a unique facade edge design. Final attachment of facade elements is done through attachment profiles after adjacent elements are in place.

EXTERNAL CORNER

Trimo Group holds full copyrights on the information and details provided on this media, therefore any unauthorized reproduction and distribution is strictly prohibited.



VERTICAL INSTALLATION

QBISS ONE

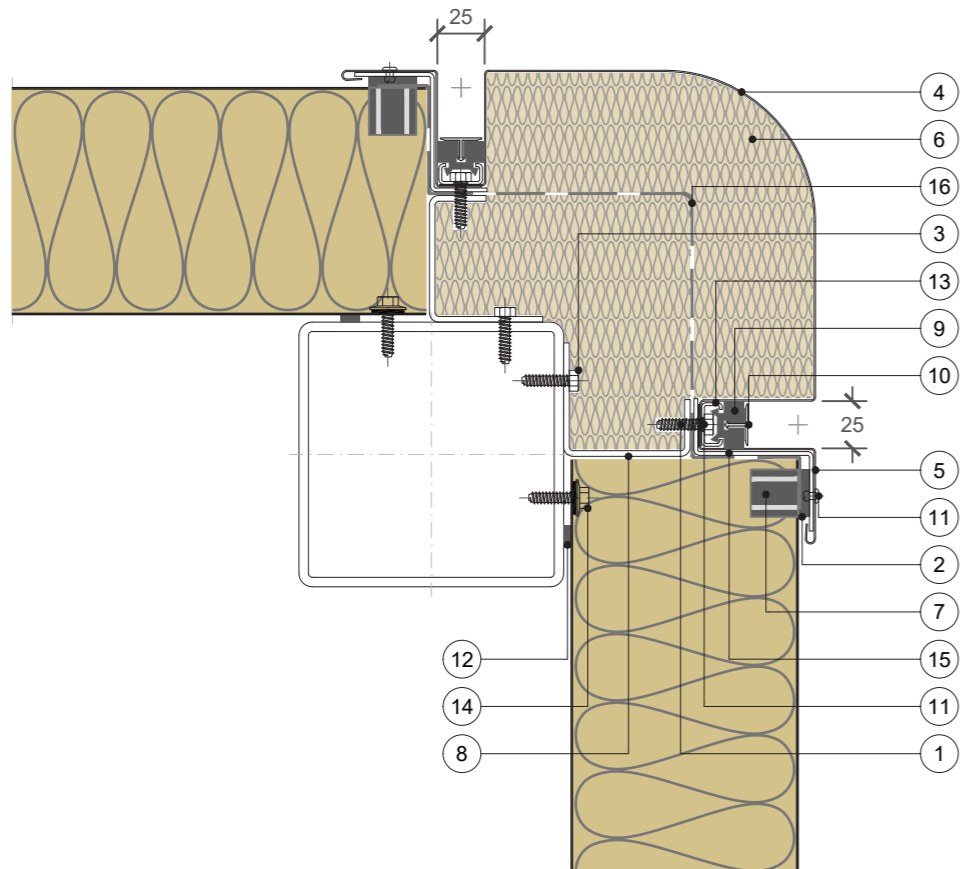
JOINT TYPE

- B - B
- B - BF
- BF - B
- BF - BF

BUILDING APPLICATION

- External Facade
- External Soffit
- Internal Wall
- Internal Ceiling

HORIZONTAL CUT



NOTE

- Installation direction is optional.
- The detail is suitable for substructure within ± 2 mm tolerance.
- Adjustable substructure to be used when tolerances are out of range.

POS.	ELEMENTS	SCALE: M 1:4
1	Fixing screw	
2	Sealing tape EPDM	
3	Fixing screw	
4	Corner element - curved	
5	Joint corner flashing	
6	Thermal Insulation - MW	
7	EPDM cube gasket	
8	C-profile	
9	EPDM Transversal gasket	
10	Decorative ALU extrusion	
11	Blind rivet	
12	Sealing tape	
13	Load bearing fixing plate	
14	Fixing screw	
15	Corner flashing Z support	
16	EPDM membrane	

EXTERNAL CORNER

Trimo Group holds full copyrights on the information and details provided on this media, therefore any unauthorized reproduction and distribution is strictly prohibited.



VERTICAL INSTALLATION

QBISS ONE

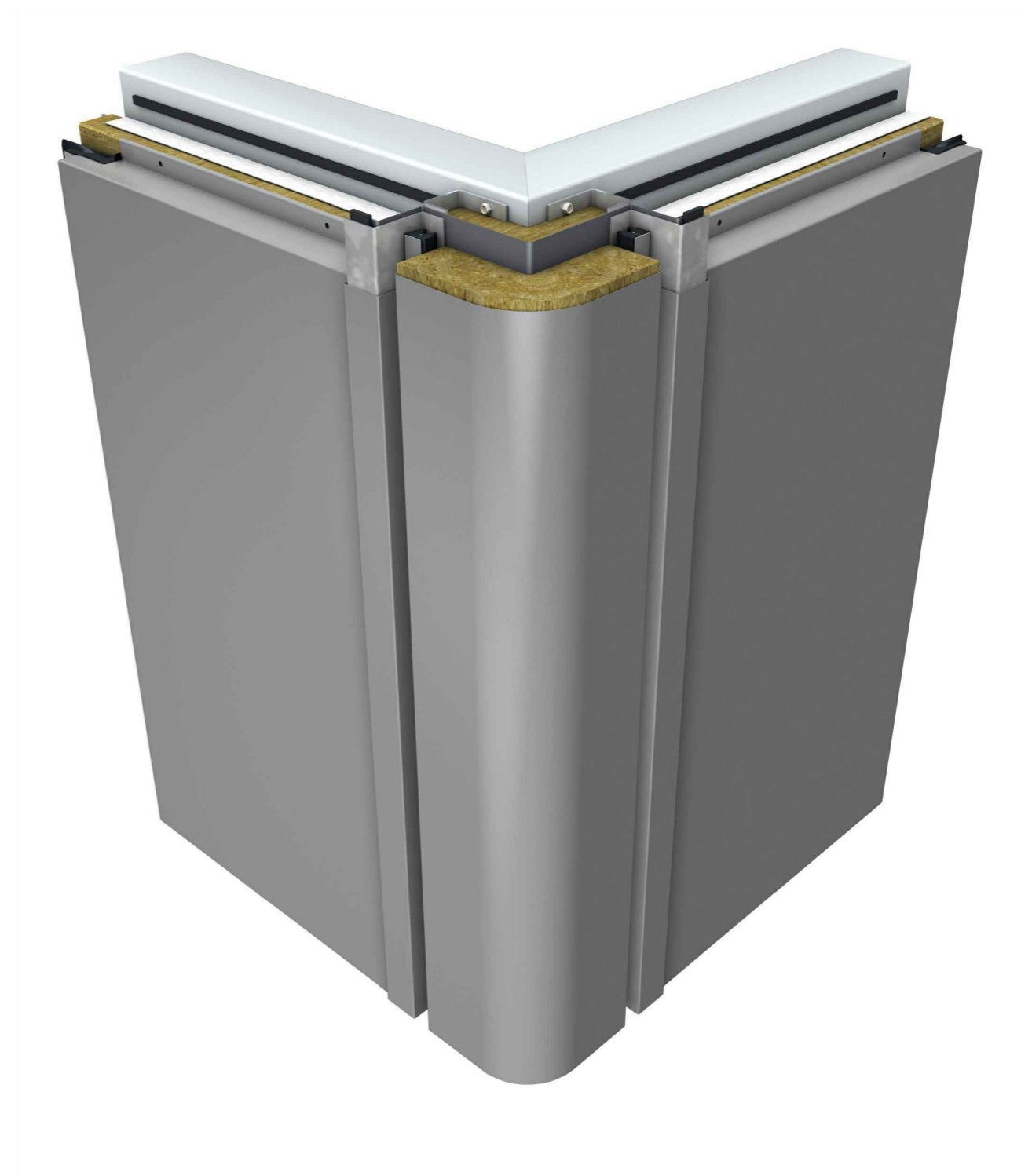
JOINT TYPE

- B - B
- B - BF
- BF - B
- BF - BF

BUILDING APPLICATION

- External Facade
- External Soffit
- Internal Wall
- Internal Ceiling

DETAIL VIEW



- External corner detail with vertically laid corner elements offers a unique facade edge design. Final attachment of facade elements is done through attachment profiles after adjacent elements are in place.

EXTERNAL CORNER

Trimo Group holds full copyrights on the information and details provided on this media, therefore any unauthorized reproduction and distribution is strictly prohibited.



VERTICAL INSTALLATION

QBISS ONE

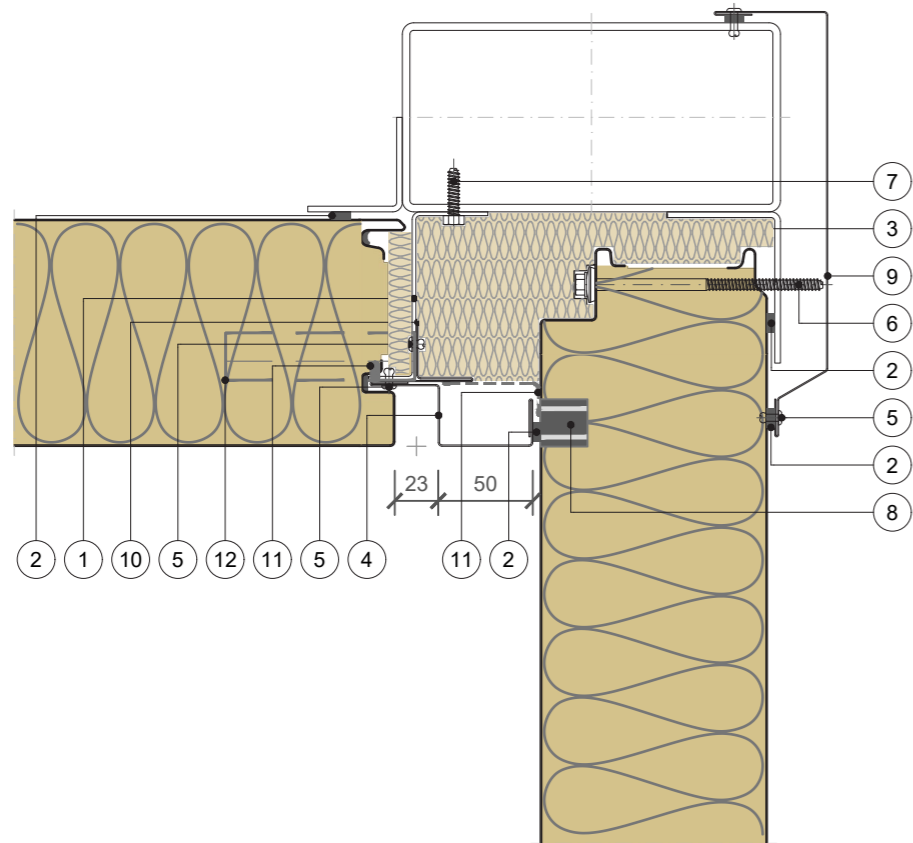
JOINT TYPE

- B - B
- B - BF
- BF - B
- F - BF

BUILDING APPLICATION

- External Facade
- Internal Wall
- External Soffit
- Internal Ceiling

HORIZONTAL CUT



NOTE

- Installation direction is optional.
- The detail is suitable for substructure within ± 2 mm tolerance.
- Adjustable substructure to be used when tolerances are out of range.

POS.	ELEMENTS	SCALE: M 1:4
1	Z Profile	
2	Sealing tape	
3	Insulation MW	
4	Corner flashing	
5	Blind rivet	
6	Fixing screw	
7	Fixing screw	
8	EPDM cube gasket	
9	Corner flashing Internal	
10	Flashing	
11	EPDM membrane	
12	PE - butyl tape	

INTERNAL CORNER

Trimo Group holds full copyrights on the information and details provided on this media, therefore any unauthorized reproduction and distribution is strictly prohibited.



VERTICAL INSTALLATION

QBISS ONE

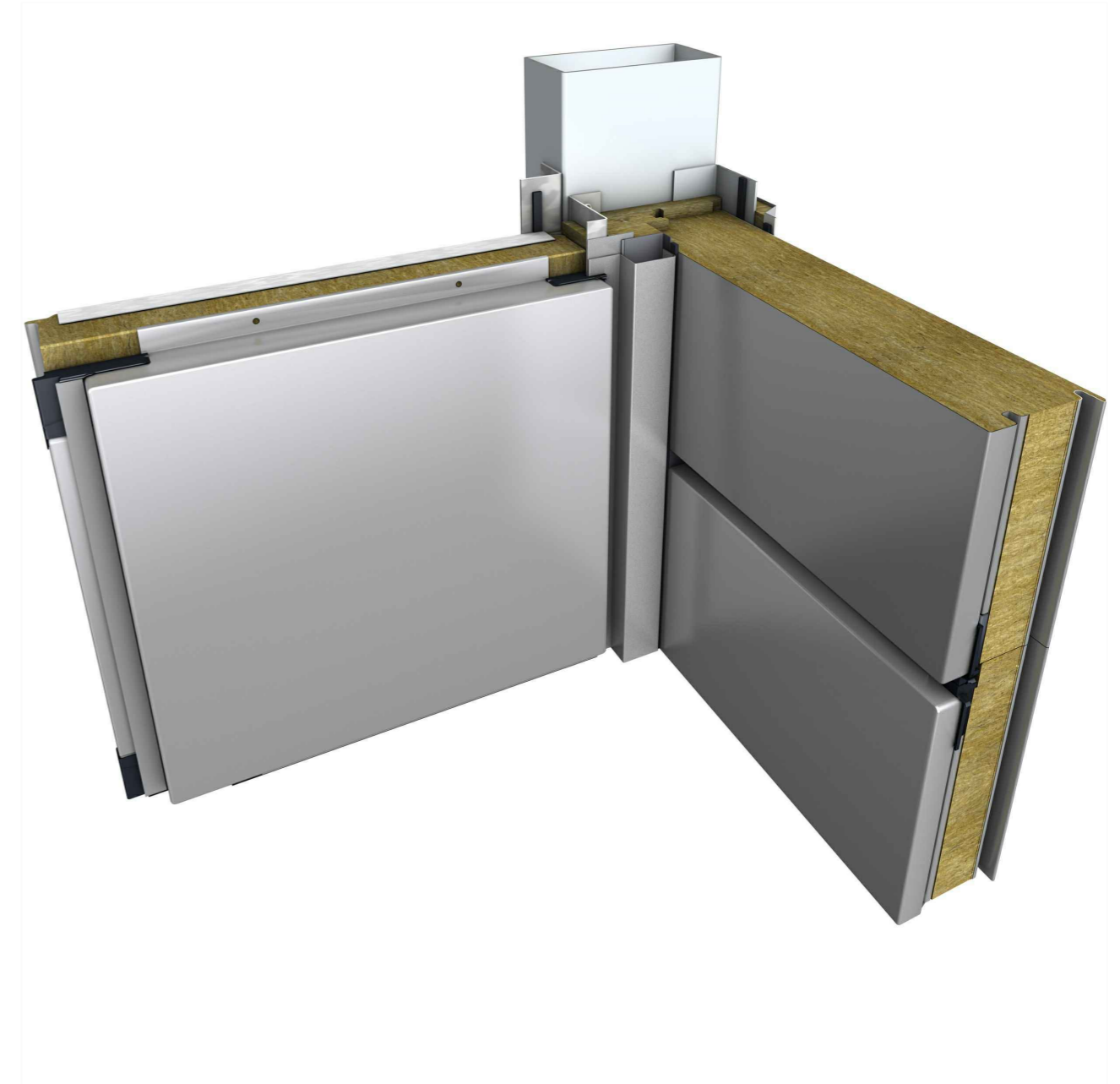
JOINT TYPE

- B - B
- B - BF
- BF - B
- F - BF

BUILDING APPLICATION

- External Facade
- Internal Wall
- External Soffit
- Internal Ceiling

DETAIL VIEW



- Internal corner detail with vertically laid Qbiss One elements offers a unique facade edge design. Sealing of a transversal joint is done using a square gasket.

INTERNAL CORNER

Trimo Group holds full copyrights on the information and details provided on this media, therefore any unauthorized reproduction and distribution is strictly prohibited.



VERTICAL INSTALLATION

QBISS ONE

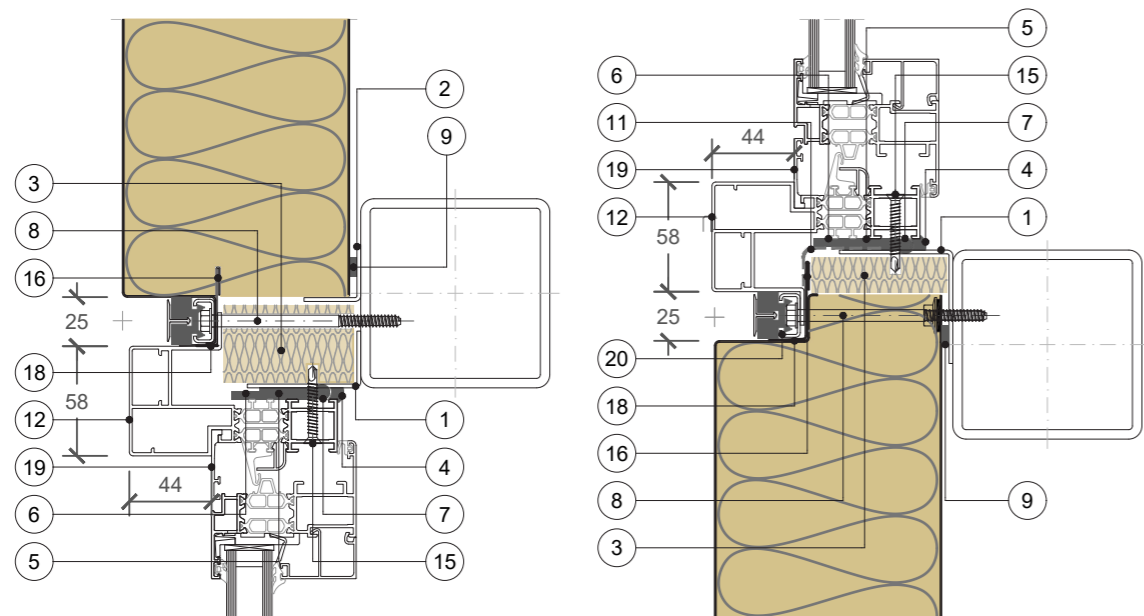
JOINT TYPE

- B - B
- B - BF
- BF - B
- BF - BF
- F - B
- F - BF

BUILDING APPLICATION

- External Facade
- External Soffit
- Internal Wall
- Internal Ceiling

VERTICAL CUT



NOTE

- The detail does not include window sash and associated seals.
- Window frames longer than 6,5 m must be dilatated.
- Seals and sashes are available at an additional cost. Glazing seals are in domain of the glass supplier.
- Direction of installation needs to be specified.
- The detail is suitable for substructure within ± 2 mm tolerance.
- Adjustable substructure to be used when tolerances are out of range.

POS.	ELEMENTS	SCALE: M 1:4
1	Support frame	
2	Cladding element holder	
3	Insulation - MW	
4	Mastic sealant	
5	Insulation foam	
6	Sealing tape	
7	Rounded PE gasket	
8	Fixing screw	
9	Sealing tape	
10	EPDM membrane (seen on horizontal cut)	
11	EPDM membrane	
12	Window Frame Profile - HF21	
13	Window Frame Profile - HF16 (seen on horizontal cut)	
14	Window Frame Profile - HF17 (seen on horizontal cut)	
15	Fixing screw	
16	Flashing	
17	Fixing screw (seen on horizontal cut)	
18	Mastic sealant EPDM	
19	Outer glass fixing element - HF22	
20	Load bearing fixing plate	

WINDOW

Trimo Group holds full copyrights on the information and details provided on this media, therefore any unauthorized reproduction and distribution is strictly prohibited.



VERTICAL INSTALLATION

QBISS ONE

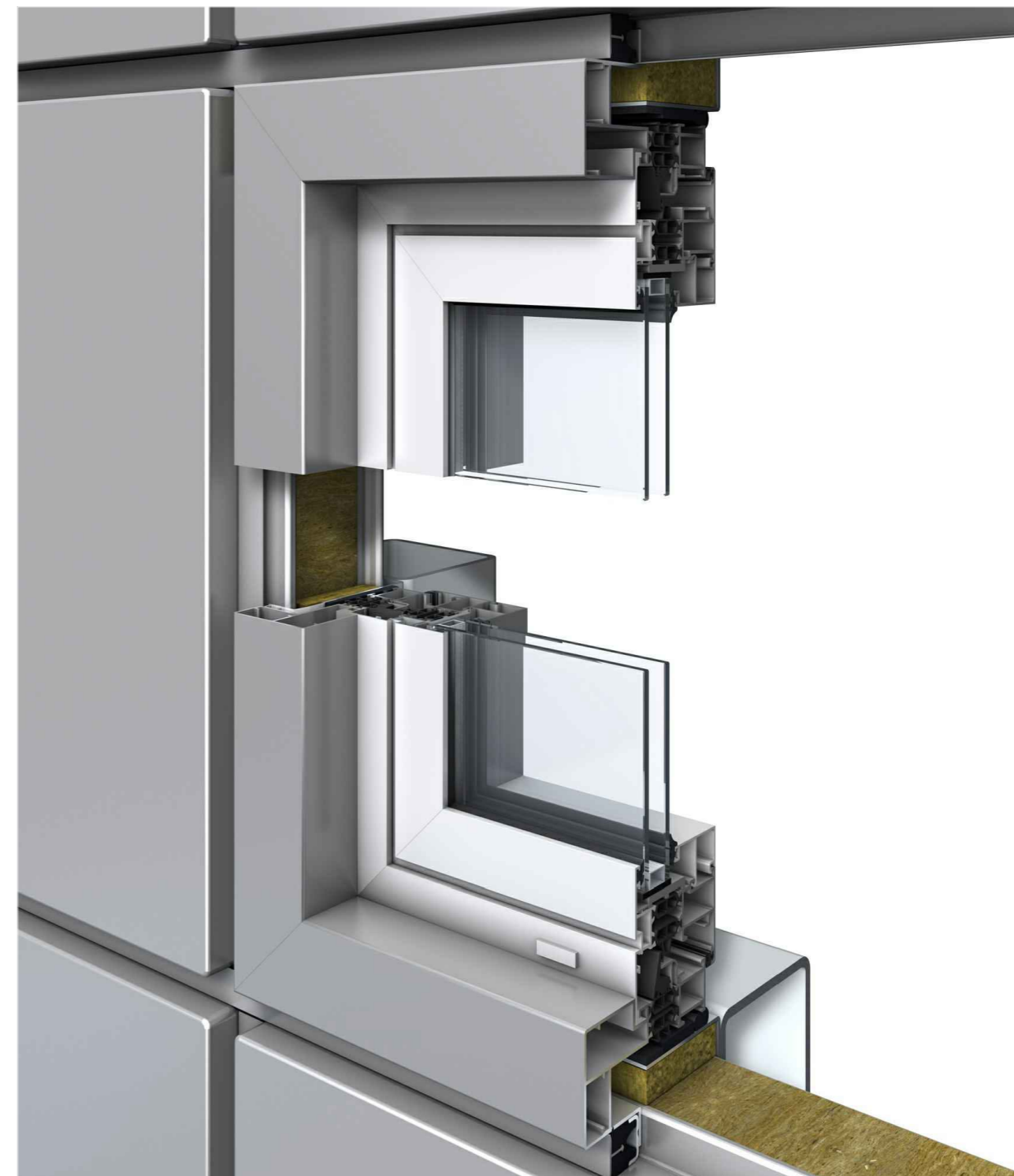
JOINT TYPE

- B - B
- B - BF
- BF - B
- BF - BF
- F - B
- F - BF

BUILDING APPLICATION

- External Facade
- External Soffit
- Internal Wall
- Internal Ceiling

DETAIL VIEW



- Window detail can be finished quickly and repeatably. Details must respect simultaneous installation of the window and façade elements. Windows can be delivered to the site assembled or disassembled.

WINDOW

Trimo Group holds full copyrights on the information and details provided on this media, therefore any unauthorized reproduction and distribution is strictly prohibited.

VERTICAL INSTALLATION

QBISS ONE

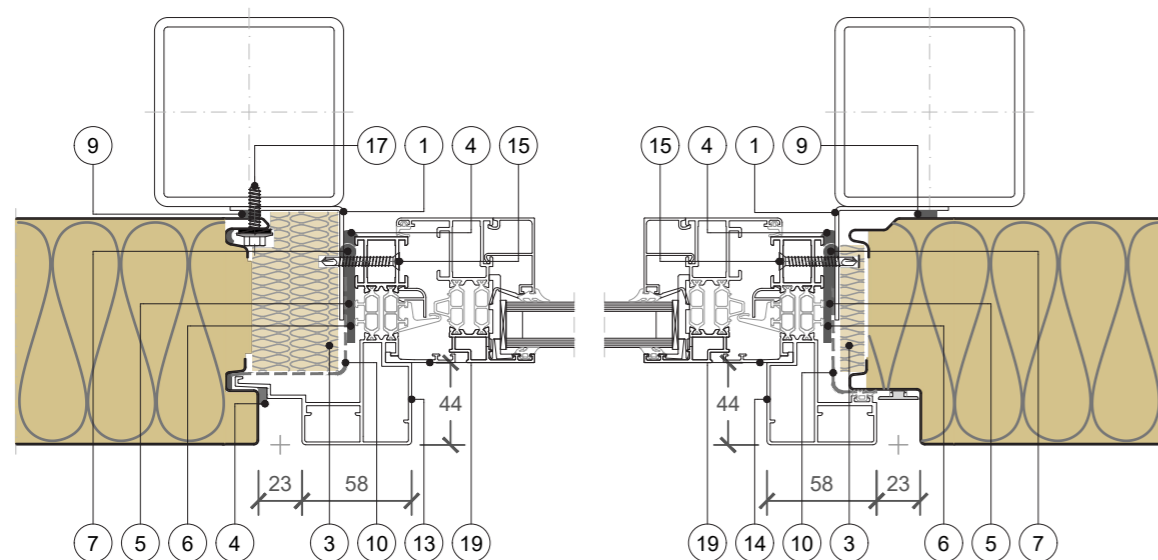
JOINT TYPE

- B - B
- B - BF
- BF - B
- BF - BF

BUILDING APPLICATION

- External Facade
- External Soffit
- Internal Wall
- Internal Ceiling

HORIZONTAL CUT



NOTE

- The detail does not include window sash and associated seals.
- Window frames longer than 6,5 m must be dilatated.
- Seals and sashes are available at an additional cost. Glazing seals are in domain of the glass supplier.
- Direction of installation needs to be specified.
- The detail is suitable for substructure within ± 2 mm tolerance.
- Adjustable substructure to be used when tolerances are out of range.

POS.	ELEMENTS	SCALE: M 1:4
1	Support frame	
2	Cladding element holder (seen on vertical cut)	
3	Insulation - MW	
4	Mastic sealant	
5	Insulation foam	
6	Sealing tape	
7	Rounded PE gasket	
8	Fixing screw (seen on vertical cut)	
9	Sealing tape	
10	EPDM membrane	
11	EPDM membrane (seen on vertical cut)	
12	Window Frame Profile - HF21 (seen on vertical cut)	
13	Window Frame Profile - HF16	
14	Window Frame Profile - HF17	
15	Fixing screw	
16	Flashing (seen on vertical cut)	
17	Fixing screw	
18	Mastic sealant EPDM (seen on vertical cut)	
19	Outer glass fixing element - HF22	
20	Load bearing fixing plate (seen on vertical cut)	

VERTICAL INSTALLATION

QBISS ONE

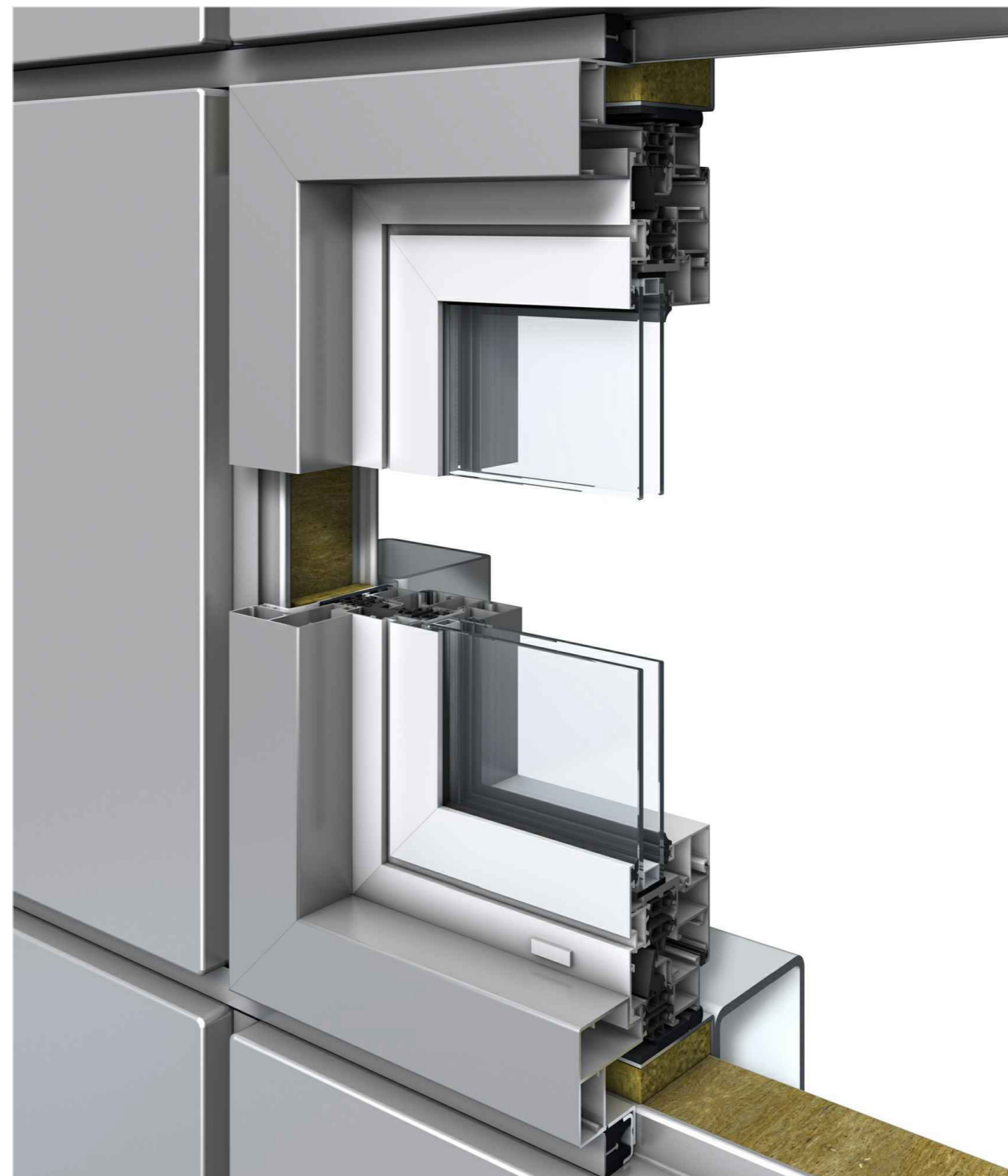
JOINT TYPE

- B - B
- B - BF
- BF - B
- BF - BF

BUILDING APPLICATION

- External Facade
- External Soffit
- Internal Wall
- Internal Ceiling

DETAIL VIEW



- Window detail can be finished quickly and repeatably. Details must respect simultaneous installation of the window and façade elements. Windows can be delivered to the site assembled or disassembled.



VERTICAL INSTALLATION

QBISS ONE

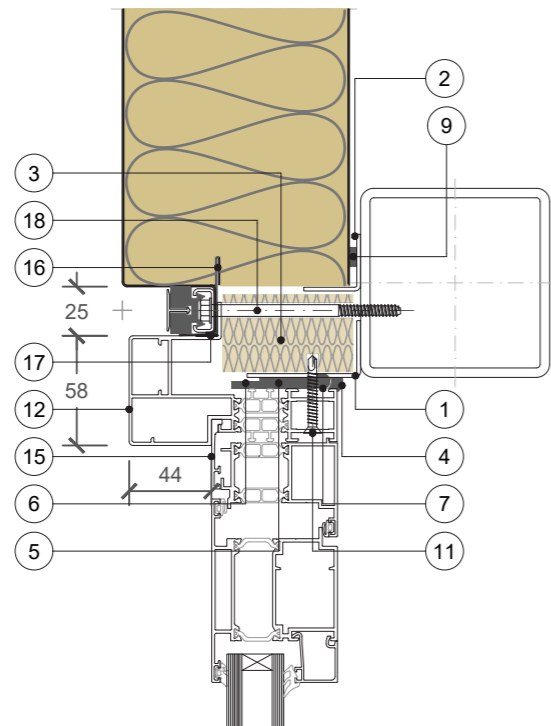
JOINT TYPE

- B - B
- B - BF
- BF - B
- F - BF

BUILDING APPLICATION

- External Facade
- Internal Wall
- External Soffit
- Internal Ceiling

VERTICAL CUT



NOTE

- The detail does not include door sash and associated seals.
- Window frames longer than 6,5 m must be dilatated.
- Seals and sashes are available at an additional cost. Glazing seals are in domain of the glass supplier.
- Direction of installation needs to be specified.
- The detail is suitable for substructure within ± 2 mm tolerance.
- Adjustable substructure to be used when tolerances are out of range.

POS.	ELEMENTS	SCALE: M 1:4
1	Support frame	
2	Cladding element holder	
3	Thermal Insulation - MW	
4	Mastic sealant	
5	Insulation foam	
6	Sealing tape	
7	Rounded PE gasket	
8	Fixing screw (seen on horizontal cut)	
9	Sealing tape	
10	EPDM membrane (seen on horizontal cut)	
11	Fixing screw	
12	Door frame profile - HF21	
13	Door frame profile - HF16 (seen on horizontal cut)	
14	Door frame profile-HF17 (seen on horizontal cut)	
15	Outer glass fixing element - HF22	
16	Flashing	
17	Mastic sealant EPDM	
18	Fixing screw	

DOOR

Trimo Group holds full copyrights on the information and details provided on this media, therefore any unauthorized reproduction and distribution is strictly prohibited.



VERTICAL INSTALLATION

QBISS ONE

JOINT TYPE

- B - B
- B - BF
- BF - B
- F - BF

BUILDING APPLICATION

- External Facade
- Internal Wall
- External Soffit
- Internal Ceiling

DETAIL VIEW



- Door detail is finished quickly and repeatably. Details must respect simultaneous installation of door and façade elements.

DOOR

Trimo Group holds full copyrights on the information and details provided on this media, therefore any unauthorized reproduction and distribution is strictly prohibited.



VERTICAL INSTALLATION

QBISS ONE

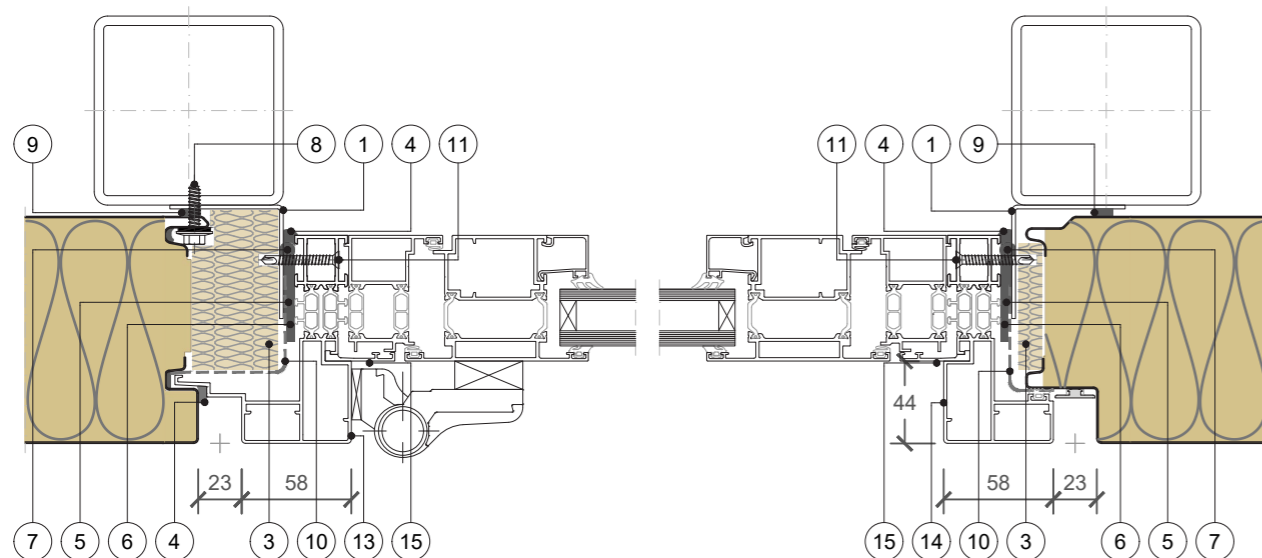
JOINT TYPE

- B - B
- B - BF
- BF - B
- F - BF

BUILDING APPLICATION

- External Facade
- External Soffit
- Internal Wall
- Internal Ceiling

HORIZONTAL CUT



NOTE

- The detail does not include door sash and associated seals.
- Window frames longer than 6,5 m must be dilatated.
- Seals and sashes are available at an additional cost. Glazing seals are in domain of the glass supplier.
- Direction of installation needs to be specified.
- The detail is suitable for substructure within ± 2 mm tolerance.
- Adjustable substructure to be used when tolerances are out of range.

POS.	ELEMENTS	SCALE: M 1:4
1	Support frame	
2	Cladding element holder (seen on vertical cut)	
3	Thermal Insulation - MW	
4	Mastic sealant	
5	Insulation foam	
6	Sealing tape	
7	Rounded PE gasket	
8	Fixing screw	
9	Sealing tape	
10	EPDM membrane	
11	Fixing screw	
12	Door frame profile - HF21 (seen on vertical cut)	
13	Door frame profile - HF16	
14	Door frame profile-HF17	
15	Outer glass fixing element - HF22	
16	Flashing (seen on vertical cut)	
17	Mastic sealant EPDM (seen on vertical cut)	
18	Fixing screw (seen on vertical cut)	

DOOR

Trimo Group holds full copyrights on the information and details provided on this media, therefore any unauthorized reproduction and distribution is strictly prohibited.



VERTICAL INSTALLATION

QBISS ONE

JOINT TYPE

- B - B
- B - BF
- BF - B
- F - BF

BUILDING APPLICATION

- External Facade
- External Soffit
- Internal Wall
- Internal Ceiling

DETAIL VIEW



- Door detail is finished quickly and repeatably. Details must respect simultaneous installation of door and façade elements.

DOOR

Trimo Group holds full copyrights on the information and details provided on this media, therefore any unauthorized reproduction and distribution is strictly prohibited.



VERTICAL INSTALLATION

QBISS ONE

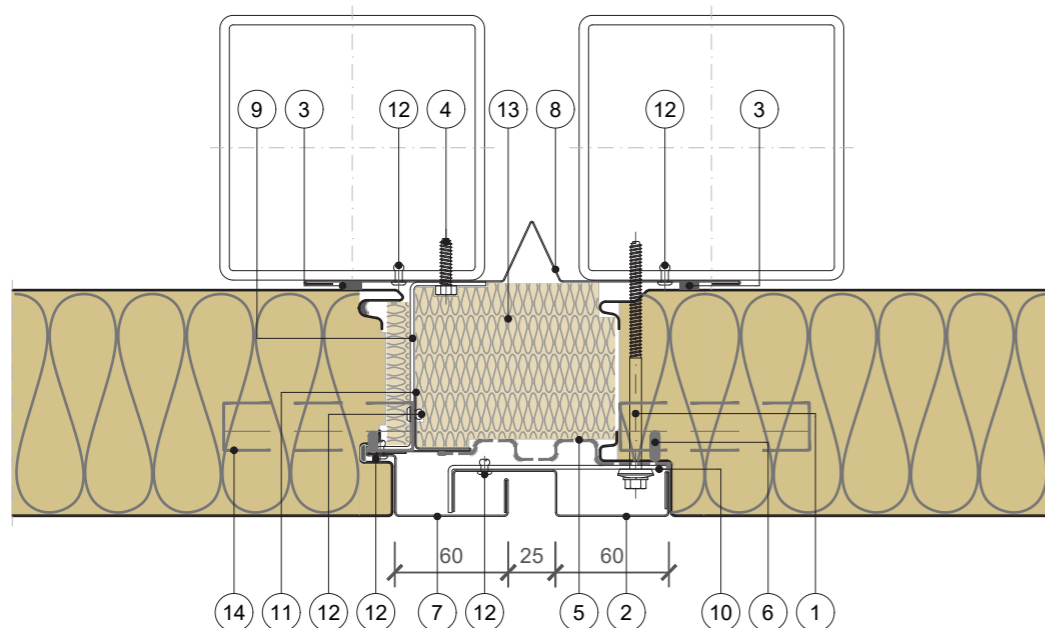
JOINT TYPE

- B - B
- B - BF
- BF - B
- F - BF

BUILDING APPLICATION

- External Facade
- External Soffit
- Internal Wall
- Internal Ceiling

HORIZONTAL CUT



NOTE

- Maximum dilatation allowed ± 25 mm.
- Direction of installation needs to be specified.
- The detail is suitable for substructure within ± 2 mm tolerance.
- Adjustable substructure to be used when tolerances are out of range.

POS.	ELEMENTS	SCALE: M 1:4
1	Fixing screw	
2	Dilatation flashing - intermediate	
3	Sealing tape	
4	Fixing screw	
5	EPDM membrane	
6	EPDM membrane glue	
7	Dilatation flashing - external	
8	Dilatation flashing - internal	
9	Z profile	
10	L profile	
11	Flashing	
12	Blind rivet	
13	Insulation - MW	
14	PE - butyl tape	

DILATATION

Trimo Group holds full copyrights on the information and details provided on this media, therefore any unauthorized reproduction and distribution is strictly prohibited.



VERTICAL INSTALLATION

QBISS ONE

JOINT TYPE

- B - B
- B - BF
- BF - B
- F - BF

BUILDING APPLICATION

- External Facade
- External Soffit
- Internal Wall
- Internal Ceiling

DETAIL VIEW



- Dilatation detail enables compensation of expansion/shrinking of long façades and buildings for façades exceeding 50 m.

DILATATION

Trimo Group holds full copyrights on the information and details provided on this media, therefore any unauthorized reproduction and distribution is strictly prohibited.



VERTICAL INSTALLATION

QBISS ONE

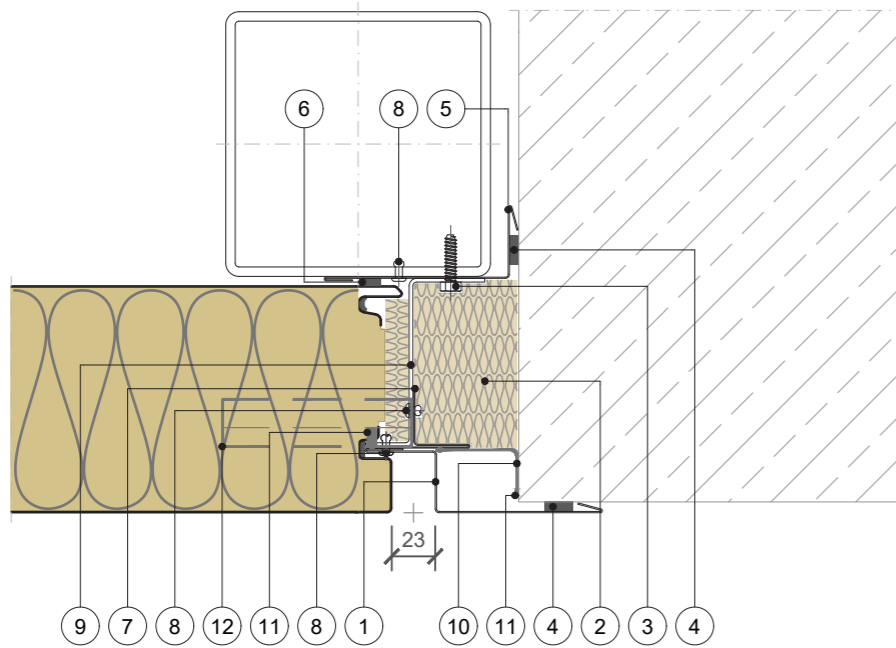
JOINT TYPE

- B - B
- B - BF
- BF - B
- F - BF

BUILDING APPLICATION

- External Facade
- External Soffit
- Internal Wall
- Internal Ceiling

HORIZONTAL CUT



NOTE

- Direction of installation needs to be specified.
- The detail is suitable for substructure within ± 2 mm tolerance.
- Adjustable substructure to be used when tolerances are out of range.

POS.	ELEMENTS	SCALE: M 1:4
1	Flashing	
2	Insulation - MW	
3	Fixing screw	
4	Sealing tape	
5	Internal flashing	
6	Sealing tape	
7	Flashing	
8	Blind rivet	
9	Z profile	
10	EPDM membrane	
11	EPDM membrane glue	
12	PE - butyl tape	

OTHER SYSTEM CONNECTION

Trimo Group holds full copyrights on the information and details provided on this media, therefore any unauthorized reproduction and distribution is strictly prohibited.



VERTICAL INSTALLATION

QBISS ONE

JOINT TYPE

- B - B
- B - BF
- BF - B
- F - BF

BUILDING APPLICATION

- External Facade
- External Soffit
- Internal Wall
- Internal Ceiling

DETAIL VIEW



- Wall connection detail detail with horizontally laid corner elements offers a unique facade connection to any other standard, concrete or brickwork facade available on the market. Space between two façade systems is sealed and filled with additional thermal insulation.

OTHER SYSTEM CONNECTION

Trimo Group holds full copyrights on the information and details provided on this media, therefore any unauthorized reproduction and distribution is strictly prohibited.